

metalarteTM
lightstyle

In a fresh bid to seek out excellence which coincides with our brand's 75th anniversary, Metalarte is proud to present the 2018 catalogue. Remaining faithful to the quality and design that have been our defining characteristics since 1942, we showcase a carefully selected collection of products in addition to new contributions that will captivate professionals in this area. We are especially proud to highlight our Mondrian lighting, which strengthens its position in 2018 as a truly innovative piece with a simple and elegant design, striking dimensions and an excellent light quality. The innovative Pamela Outdoor model, in turn, is the perfect complement to our existing Pamela family for interior spaces and has been carefully designed for the most distinguished outdoor environments, bathing these in a soft and enveloping light which radiates elegance and style. We would also like to draw attention to the comprehensive review of our best-selling Lewit products: a success story from our catalogue which has already consolidated itself as a classic. We have introduced new finishes which help to show off the simple geometric lines. In recent years our iconic pieces have also helped to position Metalarte as one of the global references in decorative lighting: Josephine, Triana, Copacabana, Inout, and there are many more examples.

We would like to take this opportunity to announce that this year we are celebrating our 75th anniversary. There are very few companies that can claim to have illuminated the history of Spanish design since the days when our country used 125-volt lamps. At Metalarte, we continue to build on the creativity, innovative spirit and commitment to quality that have long made our brand prestigious on a global level.

1942

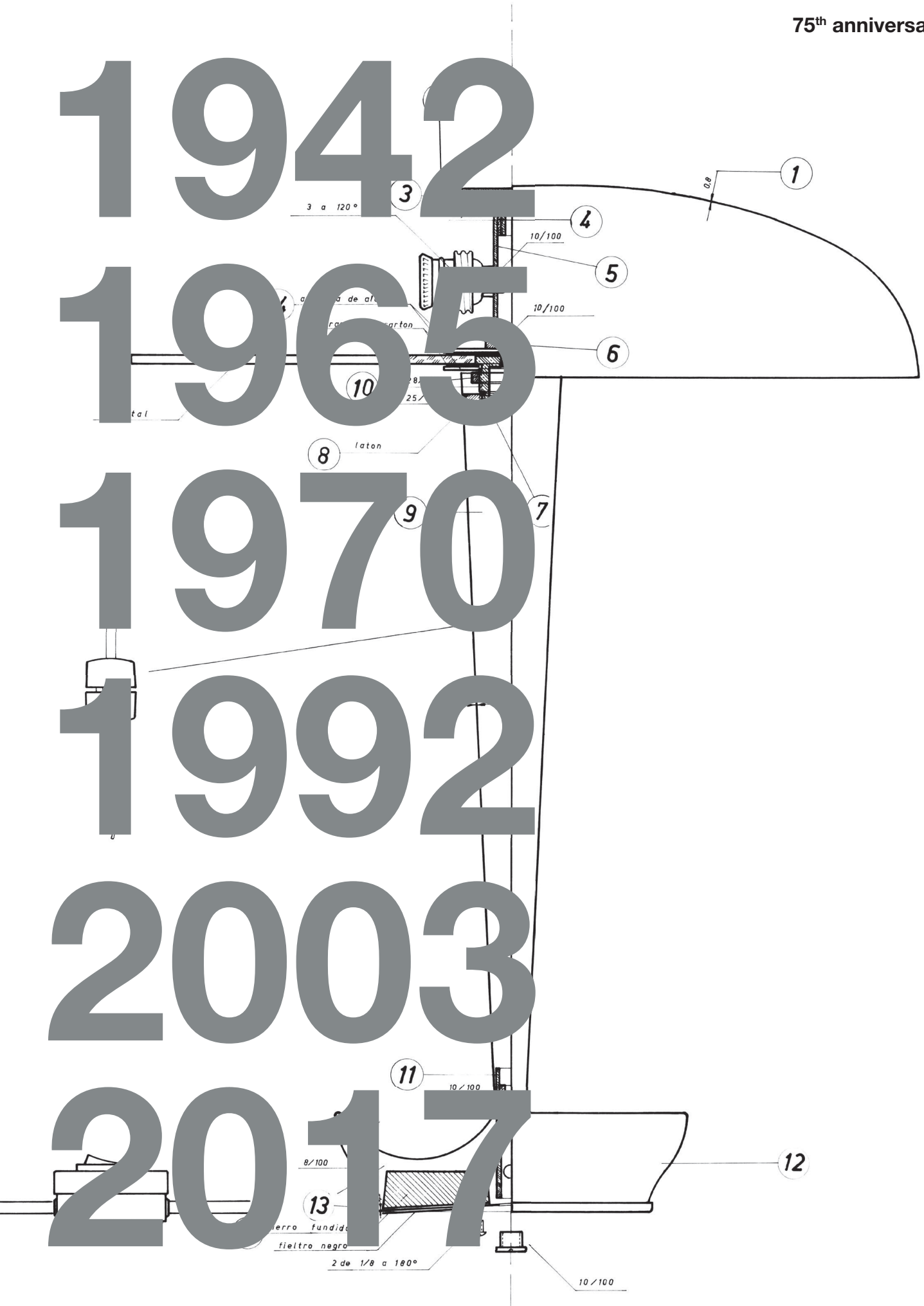
1965

1970

1992

2003

2017





1942 N°1

50'



1950



1954



1954



1954



1954



1958



1958



1959

60'



1962



1962



1962



1968



1969



1969



1969



1969

70'



1970



1975



1975



1975



1975



1977



1977



1977



1989



1989



1989



1989

90'



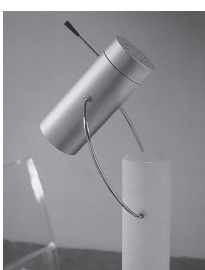
1990



1992



00'



2000



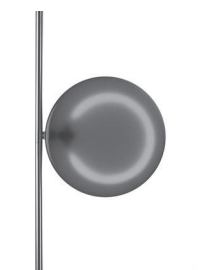
2003



2003



2003



2003



2004



2006



2008



2008



2008



2008

10'



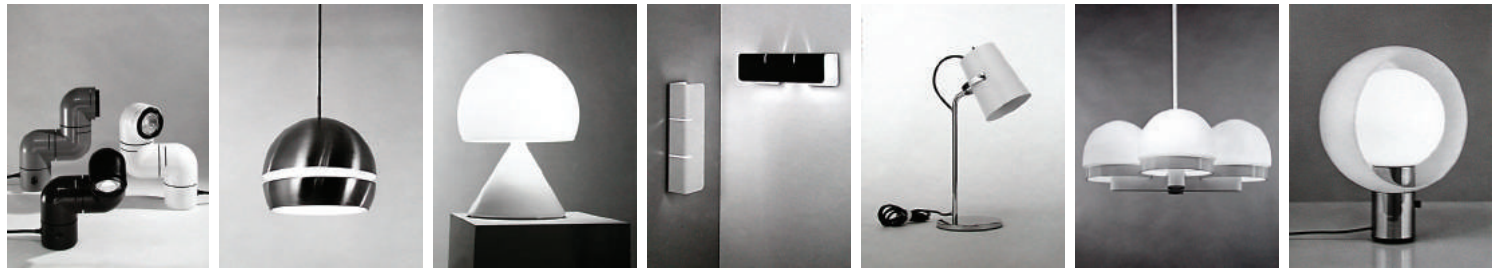
2010



1955 1955 1955 1955 1956 1957 1957



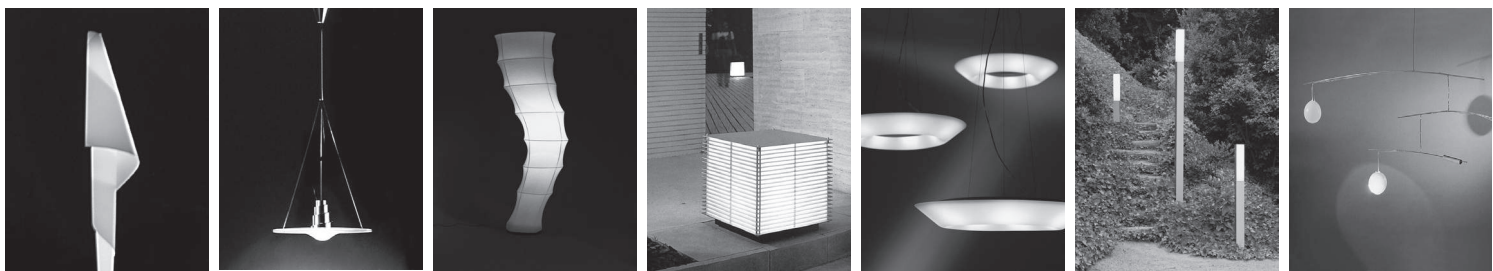
1942 1963 1965 1965 1966 1967 1967



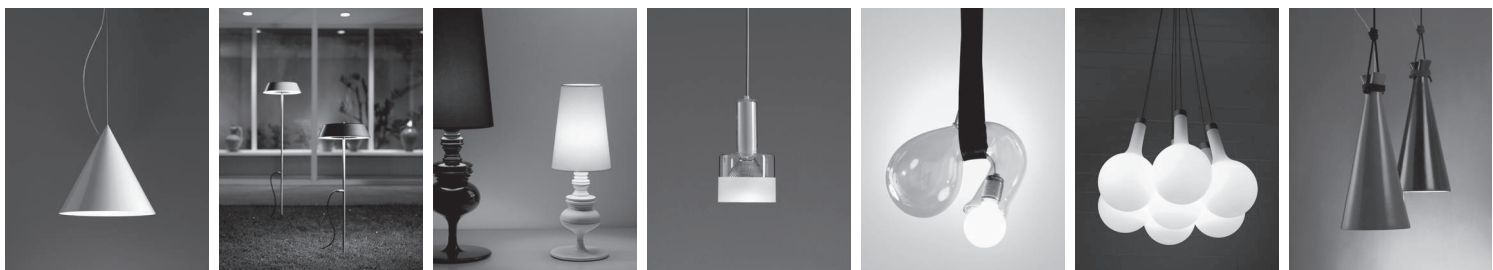
1970 1971 1971 1973 1973 1973 1974



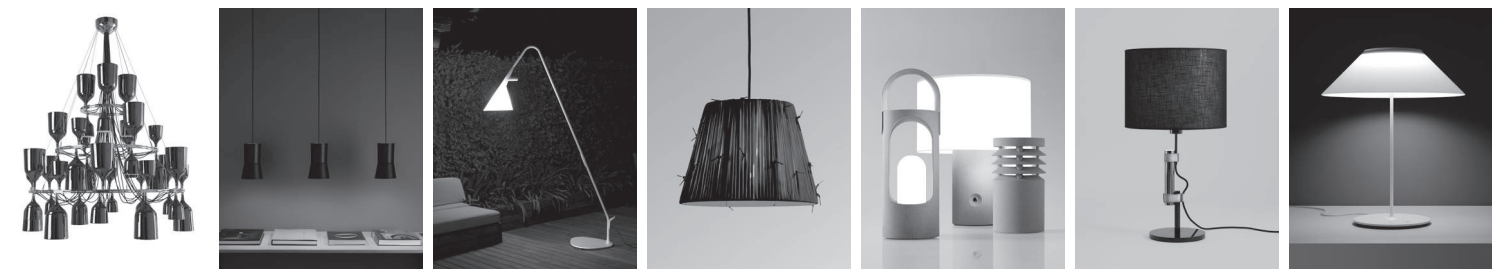
1979 1979 80' 1980 1982 1987 1988



1992 1994 1996 1998 1998 1998 1999



2004 2004 2004 2004 2005 2006 2006



2010 2010 2010 2015 2016 2016 2016

hanging



Bailaora 10



Copacabana 12



Copacabana Queen 14



Hopper 18



Inout 20



Josephine 22



Josephine Queen 24



Josephine mini Queen 26



Lewit 30



Pamela 32



Ray 34



Sentry 36



Shoelaces 40



Tanuki 44

table



Alta Costura 48



Eva 50



Frank 52



Funghi 54



Hansen 56



Inout 58



Josephine 60



Las Santas 62



Lewit 64



Libra 66



Pamela 68



Sholaces 72



Stones 74

floor



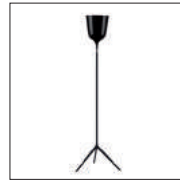
Alta Costura 78



América 82



Bailaora 84



Copacabana 86



Eva 88



Frank 90



Hansen 92



Inout 94



Josephine X 96



Lewit 100



Libra 102



Mamba 104



Pamela 106



Sinclina 108



Triana 110

wall



Copacabana 114



Funghi 116



Hansen 118



Josephine 120



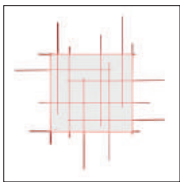
Lewit 122



Libra 124



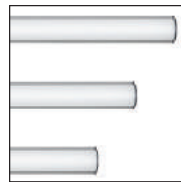
Mamba 126



Mondrian 128

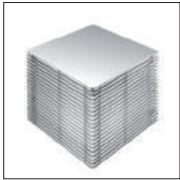


Tequila 130



Zip 132

outdoor



Dojo 136



Frida 140



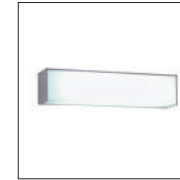
Inout 142



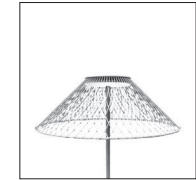
Mate 144



Nanit 146



Nawa 148



Pamela 150



Stones 152



Waterproof 156

hanging



Groning Museum - Groninger

**Bailaora
Hanging**

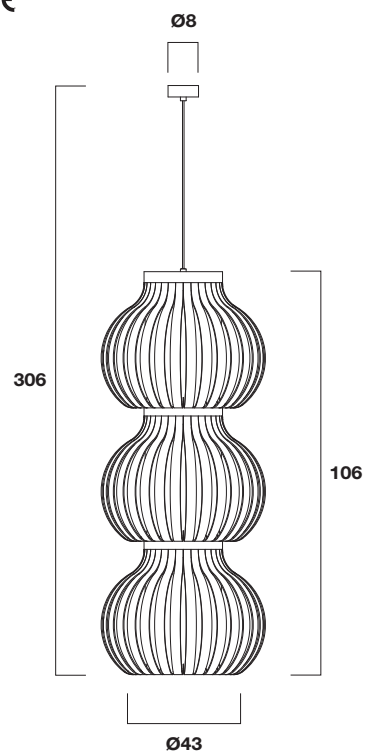
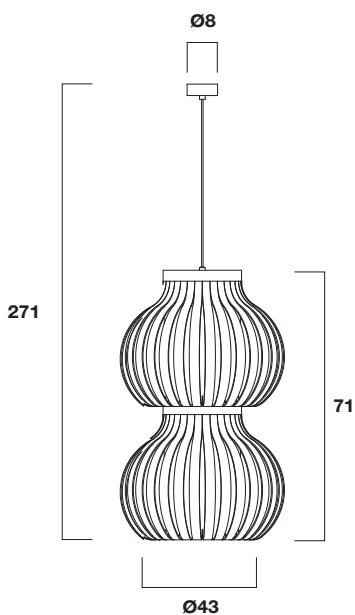
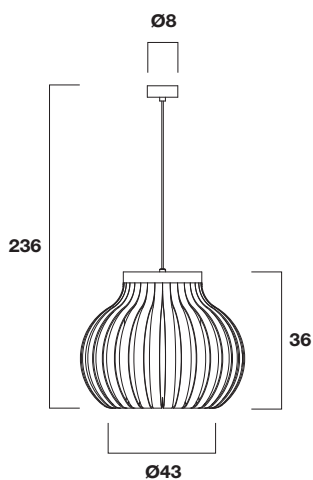


Satinised methacrylate cylindrical structure, coated in EVA foam. Ambient light.

Design by Enoch Armengol

Dimensions cm

Family page 84



Bailaora t

Structure

261900000

Diffuser

861782500 White

861784700 Black

Lamp

E27 Max. 70W



Copacabana Hanging

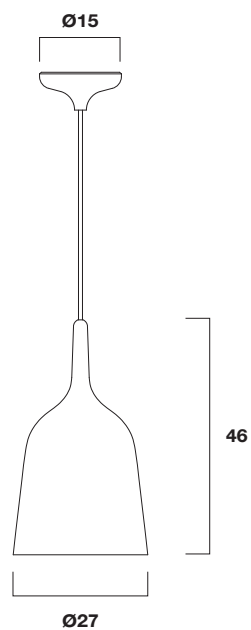
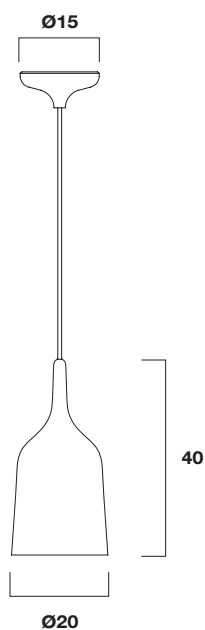
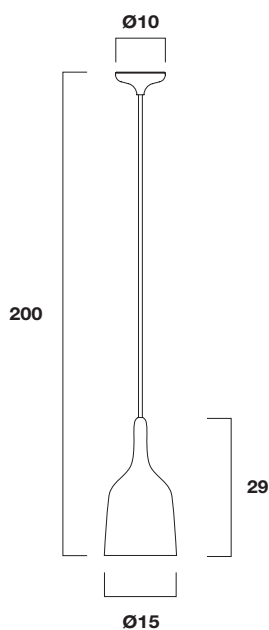


Circular ceramic ceiling rose with the same colors as the shade. Electrical cable cotton lined with the same colors. Direct light.

Design by Jaime Hayon

Dimensions cm

Family page 86-114



Copacabana t Pe

Structure / Ceramic

267102500 White

267104700 Black

267106200 Copper

267107200 Platinum

267100300 Gold

Lamp

E27 Max.20W

Copacabana t Me

Structure / Ceramic

267202500 White

267204700 Black

267206200 Copper

267207200 Platinum

267200300 Gold

Lamp

E27 Max.40W

Copacabana t Gr

Structure / Ceramic

267302500 White

267304700 Black

267306200 Copper

267307200 Platinum

267300300 Gold

Lamp

E27 Max.60W



Copacabana Queen Hanging

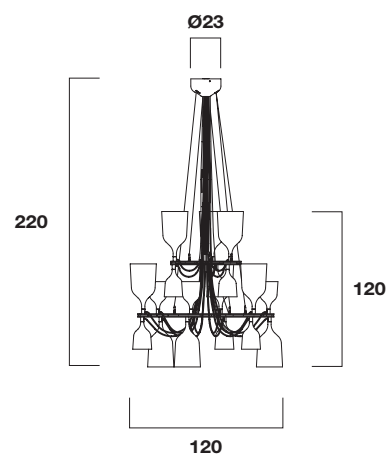
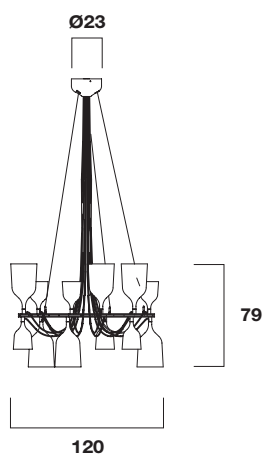
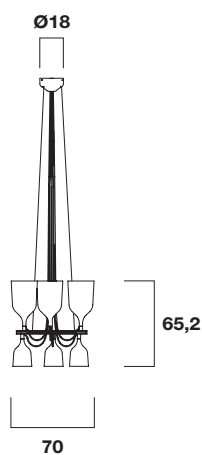


Ceramic bases supported by metal hoop or hoops. Metal cylindrical ceiling. The entire unit finished with the same colors gold, white, black, copper. Self-locking adjustable steel suspension cables. Textile cable in the same colours. Ambient light.

Design by Jaime Hayon

Dimensions cm

Family page 86-114



Copacabana Queen 3

Structure / Ceramic

- 269600300 Gold
- 269602500 White
- 269604700 Black
- 269606200 Copper

Lamp

E27 Max. 6x20W

Copacabana Queen 6

Structure / Ceramic

- 269500300 Gold
- 269502500 White
- 269504700 Black
- 269506200 Copper

Lamp

E27 Max. 12x20W

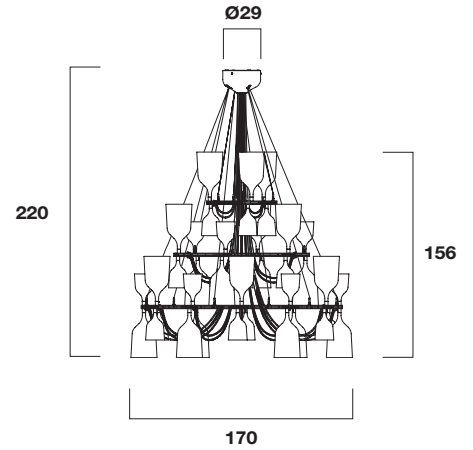
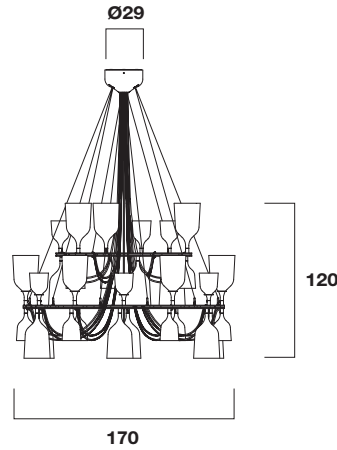
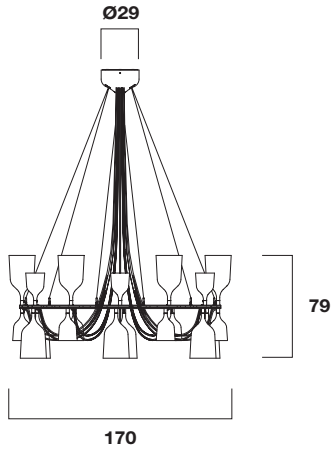
Copacabana Queen 6.3

Structure / Ceramic

- 269700300 Gold
- 269702500 White
- 269704700 Black
- 269706200 Copper

Lamp

E27 Max. 18x20W



Copacabana Queen 12

Structure / Ceramic

- 269300300 Gold
- 269302500 White
- 269304700 Black
- 269306200 Copper

Lamp

E27 Max. 24x20W

Copacabana Queen 12.6

Structure / Ceramic

- 269200300 Gold
- 269202500 White
- 269204700 Black
- 269206200 Copper

Lamp

E27 Max. 36x20W

Copacabana Queen 12.6.3

Structure / Ceramic

- 265100300 Gold
- 265102500 White
- 265104700 Black
- 265106200 Copper

Lamp

E27 Max. 42x20W

Copacabana Queen
Hanging





Hopper Hanging

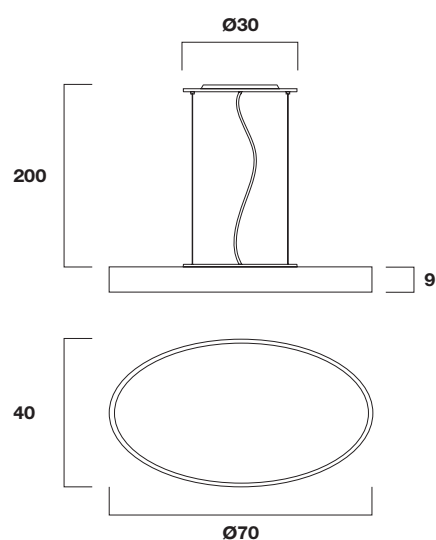
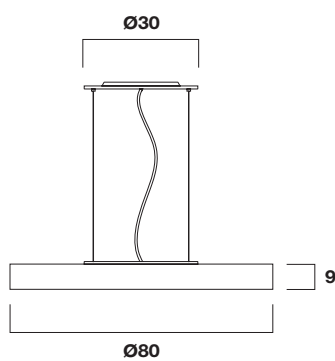
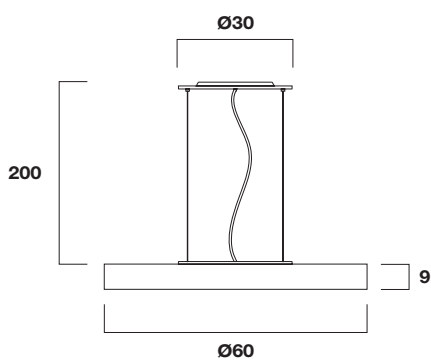


Extruded aluminum structure enameled silver or white. Upper and lower diffusers in matte glass. Spun metal ceiling rose. Three stainless-steel self-locking adjustable suspension cables. Transparent electrical cable. Direct and ambient light from above.

Design by Lievore Altherr Molina

Dimensions cm

CE IP30



Hopper 60

Structure

240007800 Silver

240002500 White

Lamp

E27 Max. 2x70W

Hopper 80

Structure

240107800 Silver

240102500 White

Lamp

E27 Max. 2x70W

Hopper Oval 70

Structure

240207800 Silver

240202500 White

Lamp

E27 Max. 2x70W



Inout IN Hanging



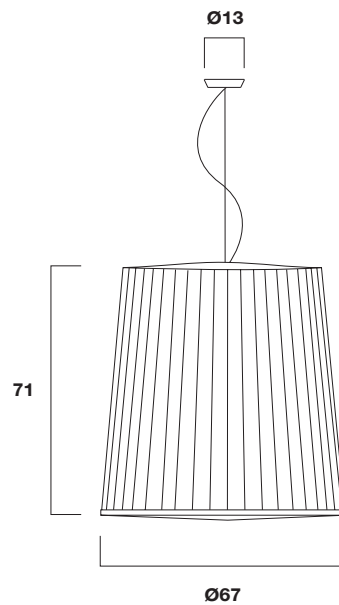
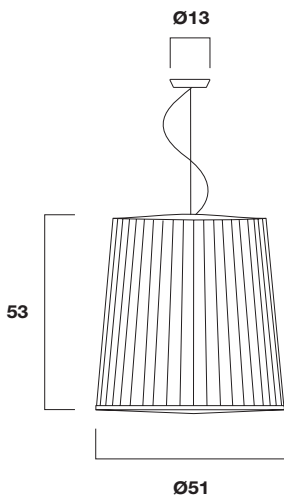
One-piece rotomoulded polyethylene structure. Chromed injected ABS inspection cover. Only for indoor use. Ambient light.

Design by Ramon Úbeda and Otto Canalda

Dimensions cm

Family page 58-94-142

CE IP44 



Inout t Pe

Structure / Polyethylene

748100000 White

748100030 Red

Lamp

E27 Max. 40W

Inout t Gr

Structure / Polyethylene

748200000 White

748200030 Red

Lamp

E27 Max. 60W



Josephine Hanging

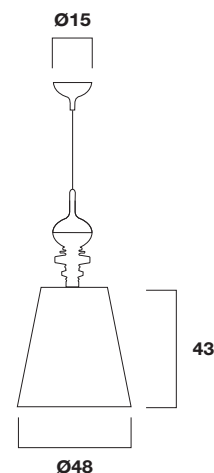
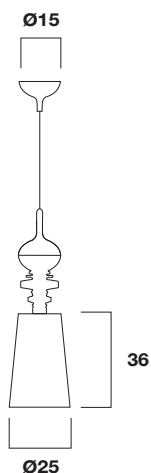
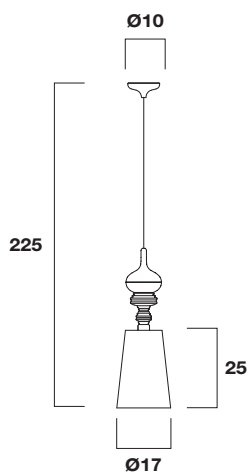


Ceramic and ceiling rose structure. Black or white shades in chintz fabric and platinum or gold in metal. Textile cable in the same colours. Ambient light.

Design by Jaime Hayon

Dimensions cm

Family page 60-96-120



Josephine mini t

Structure / Ceramic

258602500 White

258604700 Black

258607200 Platinum

258600300 Gold

Shade

811982500 White

811984700 Black

811987200 Platinum

811980300 Gold

Lamp

E27 Máx. 40W

Josephine t Pe

Structure / Ceramic

251502500 White

251504700 Black

251507200 Platinum

251500300 Gold

Shade

810782500 White

810784700 Black

810787200 Platinum

810780300 Gold

Lamp

E27 Máx. 70W

Josephine t Gr

Structure / Ceramic

251502500 White

251504700 Black

251507200 Platinum

251500300 Gold

Shade

811882500 White

811884700 Black

811887200 Platinum

811880300 Gold

Lamp

E27 Máx. 70W



Catalonia Hotel Barcelona - Barcelona

Josephine Queen Hanging

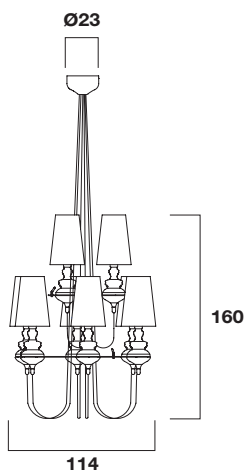
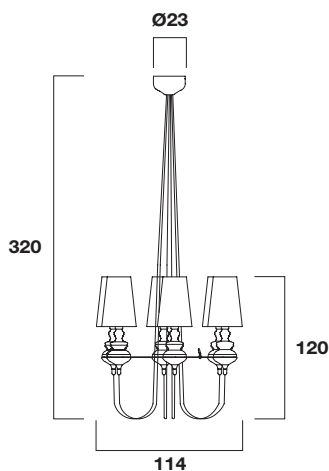


Ceramic bases supported by metal hoop or hoops. Metal ceiling rose. The entire unit finished with the same colors. Black or white shades in chintz fabric and platinum or gold in Metalon. Self-locking adjustable steel suspension cables. Textile cable in the same colours. Ambient light.

Design by Jaime Hayon

Dimensions cm

Family page 60-96-120



Josephine Queen 6

Structure / Ceramic

- 257902500 White
- 257904700 Black
- 257907200 Platinum
- 257900300 Gold

Shade

- 810882500 x 6 White
- 810884700 x 6 Black
- 810887200 x 6 Platinum
- 810880300 x 6 Gold

Lamp

E27 Max. 6x70W

Josephine Queen 6.3

Structure / Ceramic

- 257802500 White
- 257804700 Black
- 257807200 Platinum
- 257800300 Gold

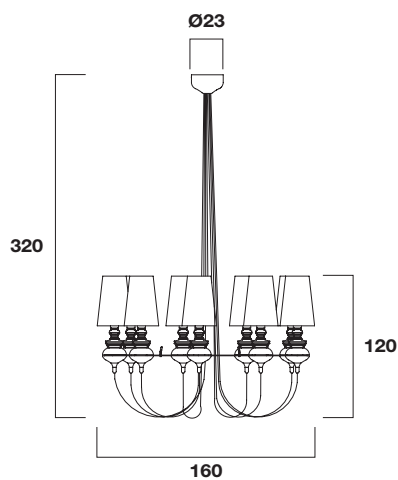
Shade

- 810882500 x 9 White
- 810884700 x 9 Black
- 810887200 x 9 Platinum
- 810880300 x 9 Gold

Lamp

E27 Max. 9x70W

Josephine Queen Hanging



Josephine Queen 9

Structure / Ceramic

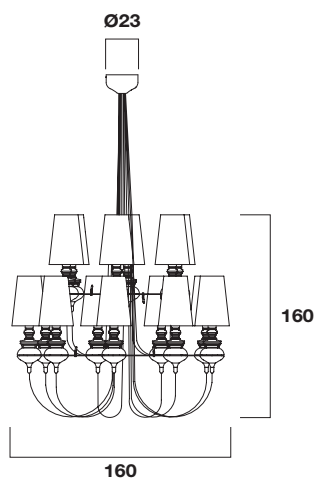
258102500 White
258104700 Black
258107200 Platinum
258100300 Gold

Shade

810882500 x 9 White
810884700 x 9 Black
810887200 x 9 Platinum
810880300 x 9 Gold

Lamp

E27 Max. 9x70W



Josephine Queen 9.6

Structure / Ceramic

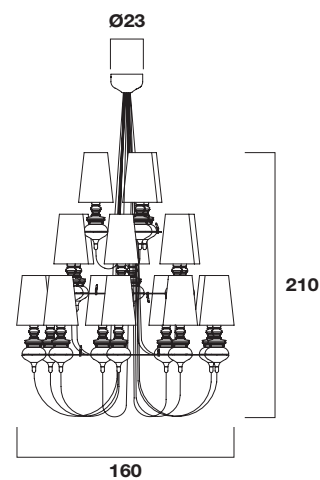
258002500 White
258004700 Black
258007200 Platinum
258000300 Gold

Shade

810882500 x 15 White
810884700 x 15 Black
810887200 x 15 Platinum
810880300 x 15 Gold

Lamp

E27 Max. 15x70W



Josephine Queen 9.6.3

Structure / Ceramic

257702500 White
257704700 Black
257707200 Platinum
257700300 Gold

Shade

810882500 x 18 White
810884700 x 18 Black
810887200 x 18 Platinum
810880300 x 18 Gold

Lamp

E27 Max. 18x70W

Josephine mini Queen Hanging

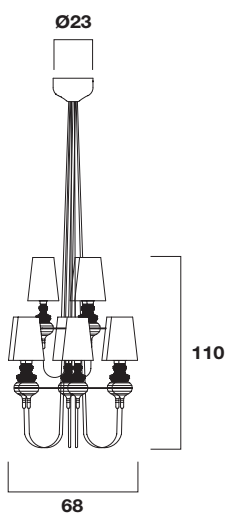
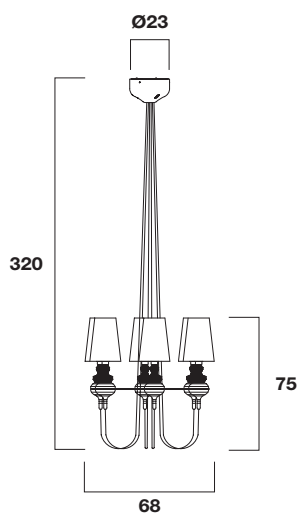


Ceramic bases supported by metal hoop or hoops. Metal ceiling rose. The entire unit finished with the same colors. Black or white shades in chintz fabric and platinum or gold in Metalon. Self-locking adjustable steel suspension cables. Textile cable in the same colours. Ambient light.

Design by Jaime Hayon

Dimensions cm

Family page 60-96-120



Josephine mini Queen 6

Structure / Ceramic

265302500 White

265304700 Black

265307200 Platinum

265300300 Gold

Shade

812082500x6 White

812084700x6 Black

812087200x6 Platinum

812080300x6 Gold

Lamp

E27 Max. 6x40W

Josephine mini Queen 6.3

Structure / Ceramic

265402500 White

265404700 Black

265407200 Platinum

265400300 Gold

Shade

812082500x9 White

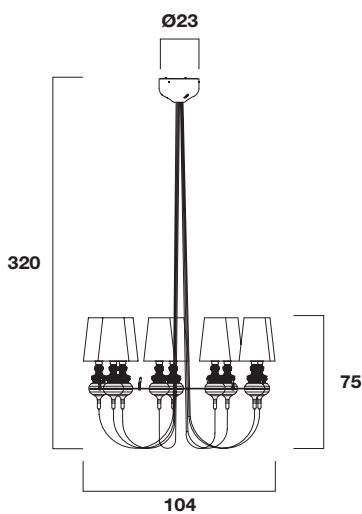
812084700x9 Black

812087200x9 Platinum

812080300x9 Gold

Lamp

E27 Max. 9x40W



Josephine mini Queen 9

Structure / Ceramic

264902500 White

264904700 Black

264907200 Platinum

264900300 Gold

Shade

812082500x9 White

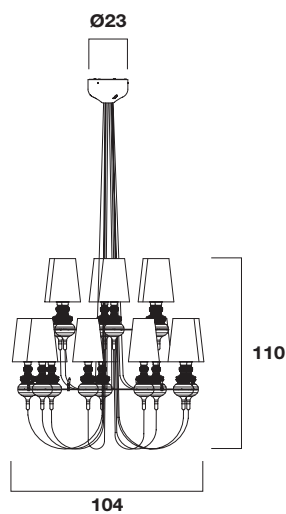
812084700x9 Black

812087200x9 Platinum

812080300x9 Gold

Lamp

E27 Max. 9x40W



Josephine mini Queen 9.6

Structure / Ceramic

265502500 White

265504700 Black

265507200 Platinum

265500300 Gold

Shade

812082500x15 White

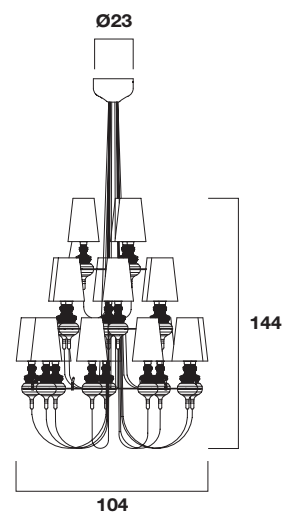
812084700x15 Black

812087200x15 Platinum

812080300x15 Gold

Lamp

E27 Max. 15x40W



Josephine mini Queen 9.6.3

Structure / Ceramic

265602500 White

265604700 Black

265607200 Platinum

265600300 Gold

Shade

812082500x18 White

812084700x18 Black

812087200x18 Platinum

812080300x18 Gold

Lamp

E27 Max. 18x40W

Josephine Queen
Hanging





Lewit Hanging

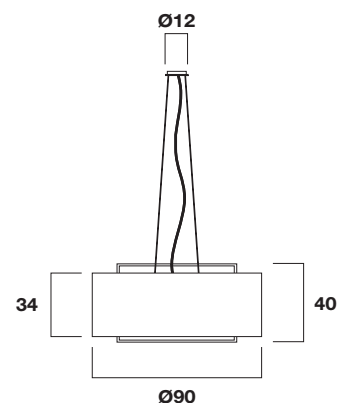
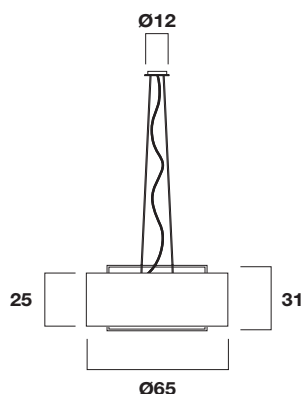
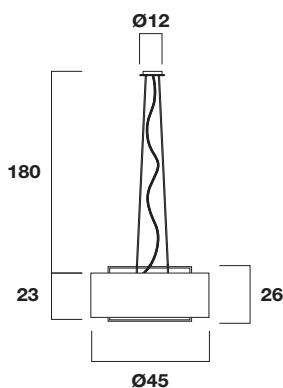


Square steel base. Cylindrical lampshade available in white, black or grey in chintz fabric, or coral, grey or green in Kvadrat fabrics. Metal frame and ceiling rose. Three stainless steel adjustable, self-locking cables. Electrical cable in black and white. Ambient lighting.

Design by Jordi Veciana

Dimensions cm

Family page 64-100-122



Lewit t Pe

Structure

254002500 White
254004700 Black
254006900 Dark grey
254008400 Red oxide

Shade

811282500 White
811284700 Black
811286900 Dark grey
811284500 Grey Kvadrat
811288000 Coral Kvadrat
811288500 Green Kvadrat

Lamp

E27 Max. 2x70W

Lewit t Me

Structure

249002500 White
249004700 Black
249006900 Dark grey
249008400 Red oxide

Shade

810482500 White
810484700 Black
810486900 Dark grey
810484500 Grey Kvadrat
810488000 Coral Kvadrat
810488500 Green Kvadrat

Lamp

E27 Max. 3x70W

Lewit t Gr

Structure

254102500 White
254104700 Black
254106900 Dark grey
254108400 Red oxide

Shade

811382500 White
811384700 Black
811386900 Dark grey
811384500 Grey Kvadrat
811388000 Coral Kvadrat
811388500 Green Kvadrat

Lamp

E27 Max. 3x70W



Pamela Hanging

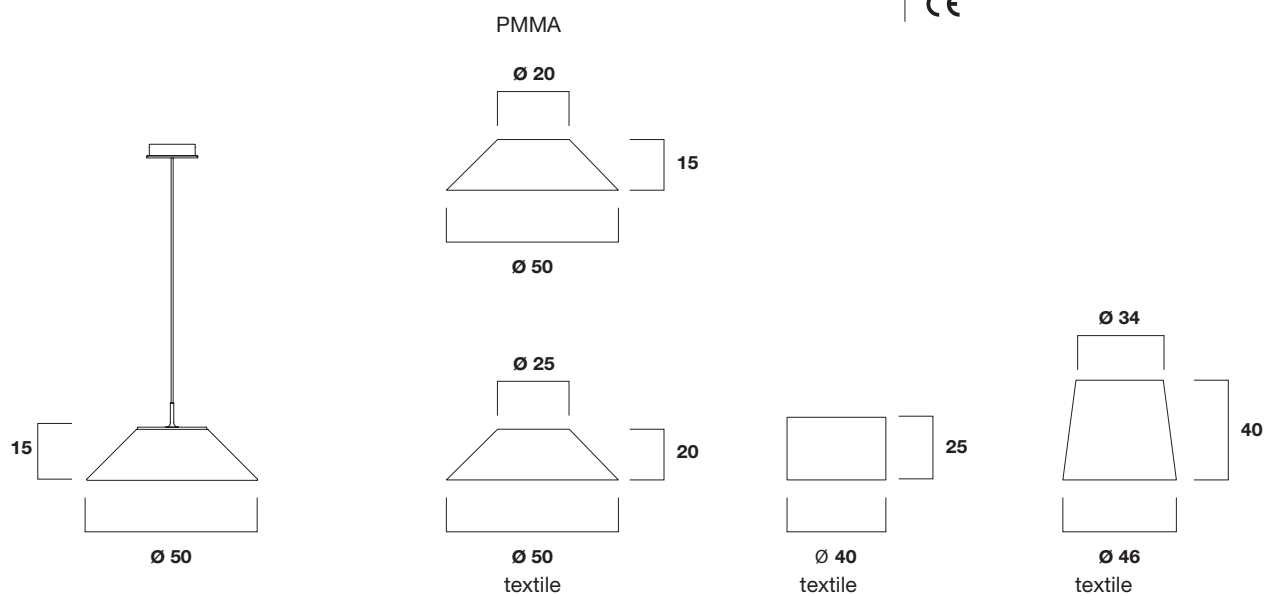


Steel structure in various finishes, brass plated, black chrome or white paint. PMMA injected glass and textile effect lampshade with painted steel base. Dimmable*. Direct and ambient lighting.

Design by Ramon Úbeda & Otto Canalda

Dimensions cm

Family page 68-106-150



Pamela t

Structure

269802501 White 2700K

269802500 White 3000K

269800901 Black chrome 2700K

269800900 Black chrome 3000K

269800301 Brass 2700K

269800300 Brass 3000K

Lamp

LED integrated 19W - dimmable -1600lm

Shade PMMA

882082500 White

Shade textile

884082500 Conical white

884084700 Conical black

883088425 Conical red, white rod

883088447 Conical red, black rod

883082500 Cylindrical white

883084700 Cylindrical black

884088425 Cylindrical red, white rod

884088447 Cylindrical red, black rod

885082500 Semi cylindrical white

885084700 Semi cylindrical black

885088425 Semi cylindrical red, white rod

885088447 Semi cylindrical red, black rod

* With wall regulator (no included)



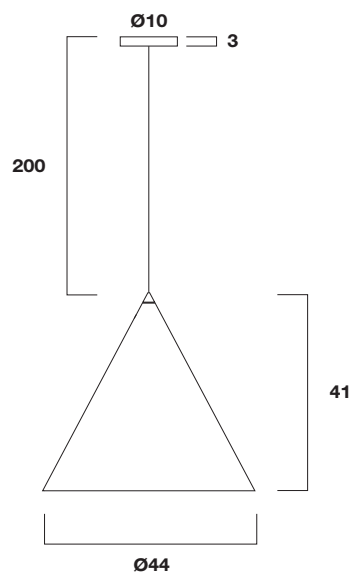
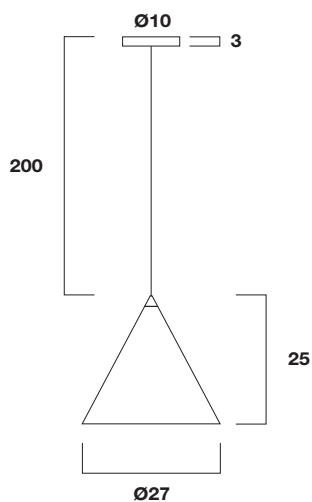
Ray Hanging



Spun aluminum shade; exterior polished and painted. Inside always white finish. Textile cable in the same colours. Direct Light.

Design by Jordi Veciana

Dimensions cm



Ray Pe

Structure / Shade

249704700 Black mate

249702500 White

249706900 Dark grey

249707000 Grey

249708400 Red

249707700 Yellow

249701500 Pink

Lamp

E27 Max. 70W

Ray Gr

Structure / Shade

249804700 Black mat

249802500 White

249806900 Dark grey

249807000 Grey

249808400 Red

249807700 Yellow

249801500 Pink

Lamp

E27 Max. 70W



Sentry Hanging



E1 + F1



E1 + E3



E1 + F2



E2 + F2

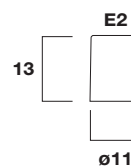
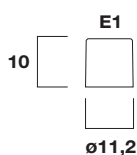
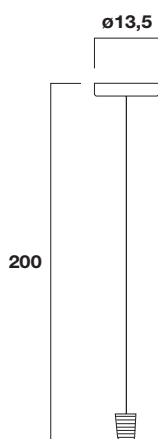


E2 + E1

Spun aluminium diffusers. All the diffusers share a common part, allowing for combined assembly. Florón circular pintado con pintura Axalta ceiling rose in the same colour as the electrical cable. Direct and indirect lighting.

Design by Paul & Christopher Massie

Dimensions cm.



Sentry

Electric Group

267002500 White

267004700 Black

Lamp

E27 Max. 40W

Diffuser E1

867182500 White

867184700 Black

867181500 Pink

867187500 Pink pastel tone

867184100 Green pastel tone

867184600 Greenish-blue

867185700 Violet pastel tone

867187700 Yellow

867187900 Terracotta

867188400 Red

Diffuser E2

867282500 White

867284700 Black

867281500 Pink

867287500 Pink pastel tone

867284100 Green pastel tone

867284600 Greenish-blue

867285700 Violet pastel tone

867287700 Yellow

867287900 Terracotta

867288400 Red



E3 + E2



E1 + F1



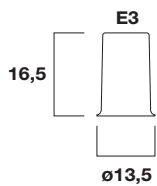
E1 + E2



E1 + F1



E1 + F2



Diffuser E3

867382500 White

867384700 Black

867381500 Pink

867387500 Pink pastel tone

867384100 Green pastel tone

867384600 Greenish-blue

867385700 Violet pastel tone

867387700 Yellow

867387900 Terracotta

867388400 Red

Diffuser F1

867482500 White

867484700 Black

867481500 Pink

867487500 Pink pastel tone

867484100 Green pastel tone

867484600 Greenish-blue

867485700 Violet pastel tone

867487700 Yellow

867487900 Terracotta

867488400 Red

Diffuser F2

867582500 White

867584700 Black

867581500 Pink

867587500 Pink pastel tone

867584100 Green pastel tone

867584600 Greenish-blue

867585700 Violet pastel tone

867587700 Yellow

867587900 Terracotta

867588400 Red

**Sentry
Hanging**





Shoelaces Hanging

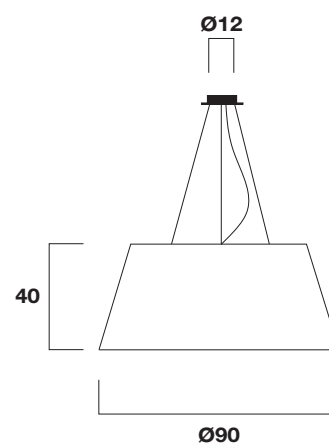
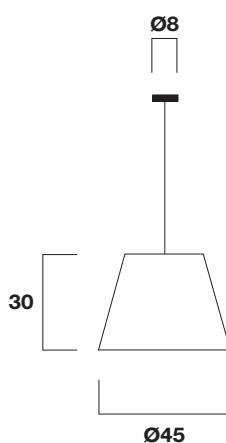
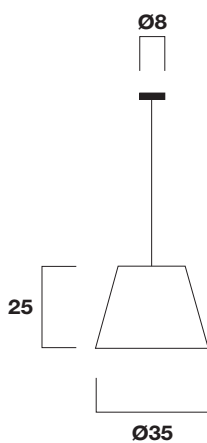


Shade made with shoelaces in different colors. Steel structure painted in black. Black electrical cable in fabrics. Metal ceiling rose painted in black. Adjustable self-locking stainless-steel suspension cables in Gr and Billar. Direct and ambient light.

Design by Curro Claret

Dimensions cm.

Family page 72



Shoelaces t Pe

Structure

268504700 Black

268502100 Grey

268508400 Red

268506200 Green Fluor

268509900 Multi-colour

Lamp

E27 Max. 70W

Shoelaces t Me

Structure

268004700 Black

268002100 Grey

268008400 Red

268006200 Green Fluor

268009900 Multi-colour

Lamp

E27 Max. 70W

Shoelaces t Gr

Structure

268304700 Black

268302100 Grey

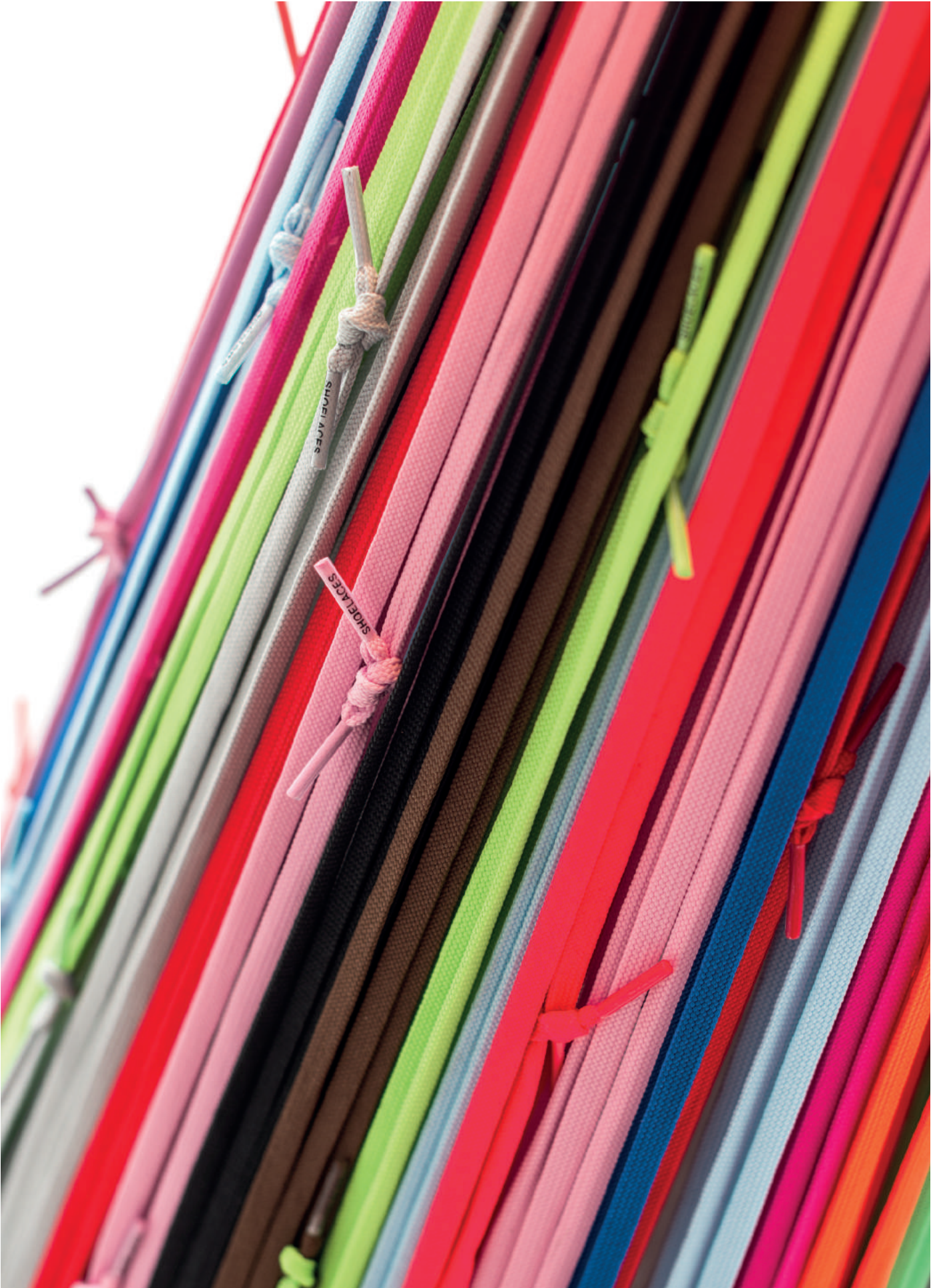
268308400 Red

268306200 Green Fluor

268309900 Multi-colour

Lamp

E27 Max. 3x70W



Shoelaces Hanging

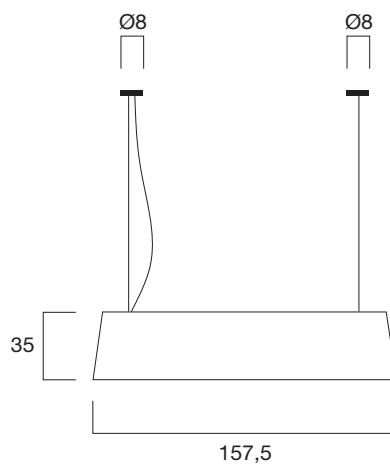
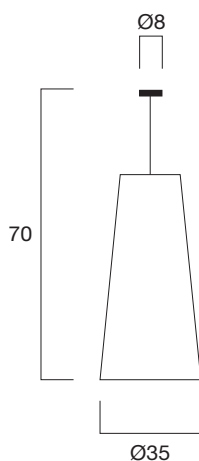


Shade made with shoelaces in different colors. Steel structure painted in black. Black electrical cable in fabrics. Metal ceiling rose painted in black. Adjustable self-locking stainless-steel suspension cables in Gr and Billar. Direct and ambient light.

Design by Curro Claret

Dimensions cm.

Family page 72



Shoelaces t Cono

Structure

268404700 Black

268402100 Grey

268408400 Red

268406200 Green Fluor

268409900 Multi-colour

Lamp

E27 Max. 70W

Shoelaces t Billar

Structure

268204700 Black

268202100 Grey

268208400 Red

268206200 Green Fluor

268209900 Multi-colour

Lamp

E27 Max. 4x70W



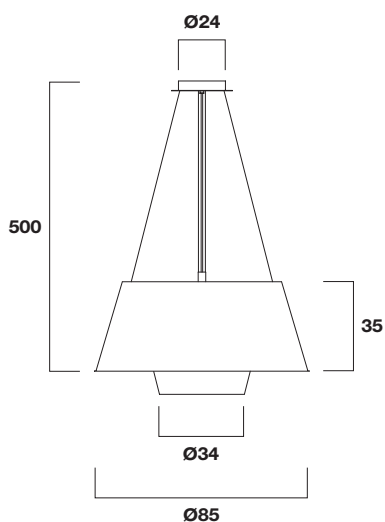
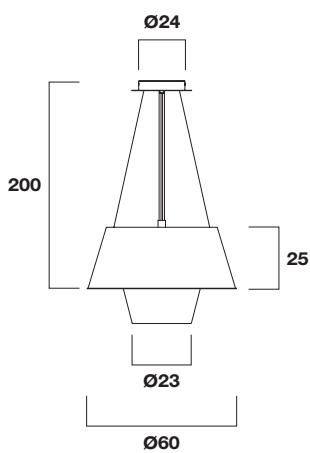
Tanuki Hanging



Two screens, the outer one with vertical motion, which focuses the light output up (ambient light) or down (direct light). For Pe version inner thermoforming opal methacrylate shade and for Gr version spun aluminum. Metal ceiling rose. Three adjustable self-locking stainless-steel suspension cables. Black electrical cable. Inside surface of the inner shade always in white.

Design by Itamar Burnstein

Dimensions cm



Tanuki t Pe

Structure

266402500 White

266404700 Black/White

266404741 Black/Green

Lamp

E27 Max. 70W

Tanuki t Gr

Structure

266602500 White/White-White

266604700 Black/White-Black

266604710 Black/Green-White

266604720 Black/White-White

Lamp

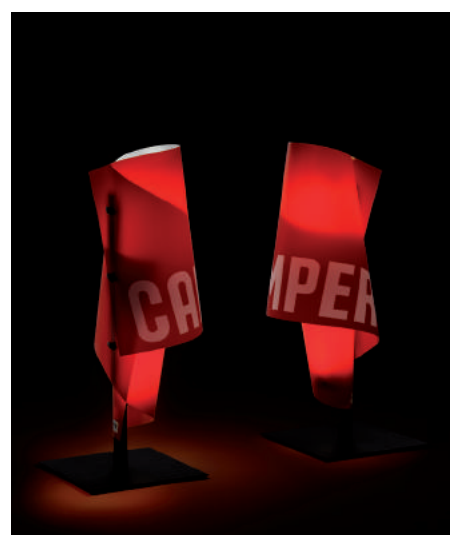
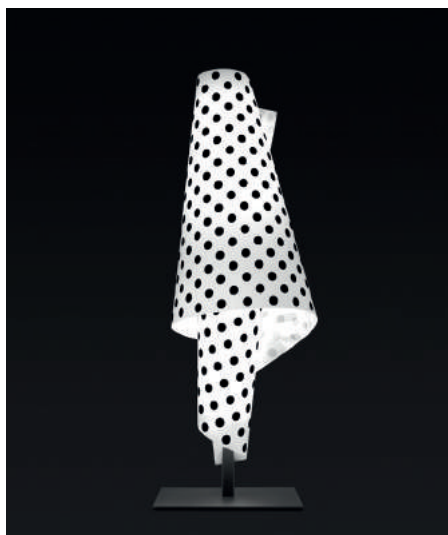
E27 Max. 2x70W



table



Alta Costura Table



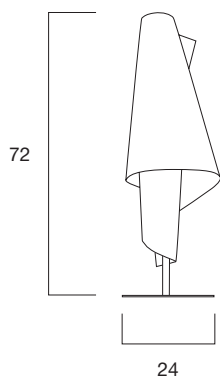
PVC shade for the original Alta Costura and blacklit for Alta Costura Flags and customizable models. Black base and column with Axalta paint. Ambient light.

Original design Josep Aregall

Design Alta Costura Flags
Josep Aregall & Ramón Úbeda

Dimensions cm

Family page 78



Alta Costura S

Structure / Shade

427504701 Axalta black / PVC

Lamp

Integrated LED 5W - 2700K - 500lm

Alta Costura Flags S

Structure / Shade

4277047XX Customizable Backlight

Lamp

Integrated LED 5W - 2700K - 500lm
Depending on the design



Eva Table



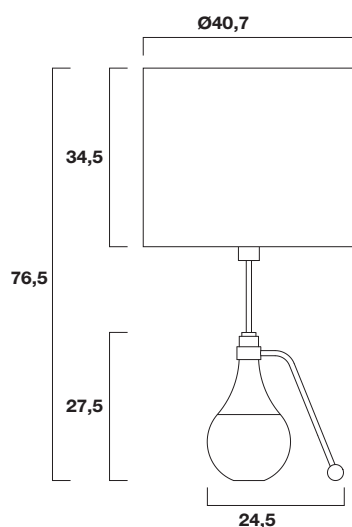
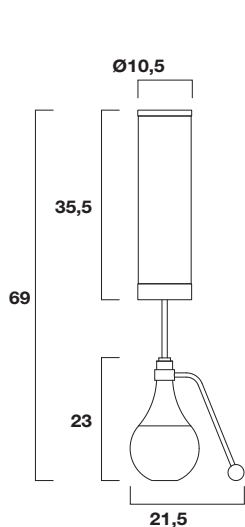
White Carrera marble base with a shiny nickel steel structure and a Pyrex diffuser in the Eva m Me model.

Black Markina marble base with a brass-plated steel structure and a white textile screen in the Eva m Gr model. Ambient light.

Design by Lázaro Rosa-Violán

Dimensions cm

Family page 88



Eva m Me

Structure / Shade

466802500 White marble / Pyrex

Lamp

E27 T30 Max. 60W

Eva m Gr

Structure

466904700 Black marble

Shade

870782500 White

Lamp

E27 Max. 70W



Frank Table

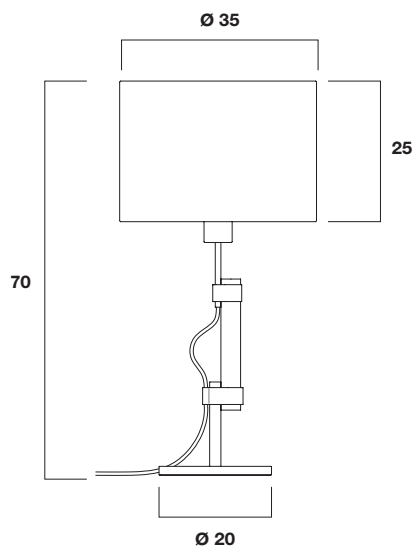


Structure made of black shiny steel, shiny copper. Sard fabric shade with white color inside and black or white in the exterior. Natural leather ribbon. Ambient light.

Design by Lázaro Rosa-Violán

Dimensions cm

Family page 90



Frank m

Structure

498604700 Black brilliant

Shade

870882500 White

870884700 Black

Lamp

E27 Max. 70W



Funghi Table

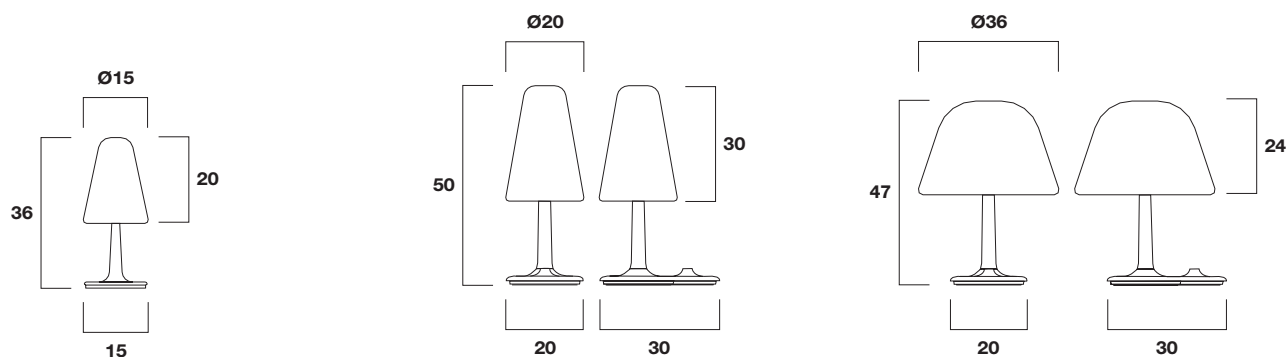


Ceramic lampshade and structure. The m Pe version is activated via an adjustable on/off switch located on the electric cable. The m Me and m Gr versions are activated via a “Touch Dimmer*” located on the base. Ambient lighting.

Design by Jaime Hayon

Dimensions cm

Family page 116



Funghi m Pe

Structure / Ceramic

454702500 White

454704700 Black

Lamp

E14 Max. 40W

Funghi m Me

Structure / Ceramic

454802500 White

454804700 Black

Lamp

E14 Max. 2x40W

Funghi m Gr

Structure / Ceramic

454902500 White

454904700 Black

Lamp

E14 Max. 3x40W

* Consult recommended lamps

Plug. Please change the 5th digit of product reference according the destination country for Floor and Table lamps as indicated below:
 digit 5: UK, Malaysia , Singapore, Arabs Emirats , Qatar, Bahrain , Oman, Jordan, Hong Kong. Example: 459102500 for 459152500
 digit 6: Switzerland, Liechtenstein. Example: 459102500 for 459162500
 digit 3: US, Canada, Mexico, Japan Example: 459102500 for 459132500



Hansen Table

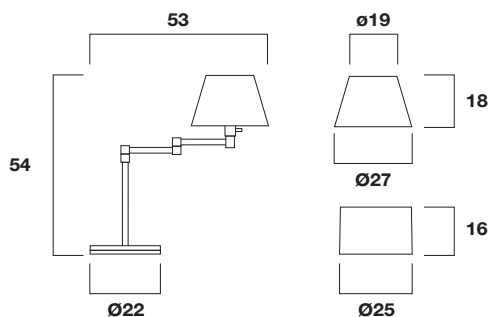


Brass structure with either polished brass or matte nickel finish. Conical shade in white trilon fabric or cylindrical shade in beige cardboard. Direct and ambient light.

Design by George W. Hansen

Dimensions cm

Family page 92-118



Hansen 4010

Structure

401000100 Polished brass

401001000 Satin nickel

Shade

800580225 Conical. Trilon. White

808780326 Cylindrical. Carboard. Beige

Lamp

E27 Max. 70W



Inout IN Table



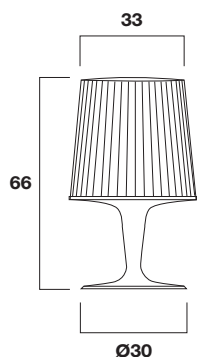
One-piece rotomoulded polyethylene structure. Chromed injected ABS inspection cover. Switching by means of on/off switch located in the electrical cable. Only for indoor use. Ambient light.

Design by Ramón Úbeda
and Otto Canalda

Dimensions cm

Family page 20-94-142

CE IP44 



Inout Pe

Structure / Polyethylene

747800000 White

747800030 Red

Lamp

E27 Max. 40W



Josephine Table

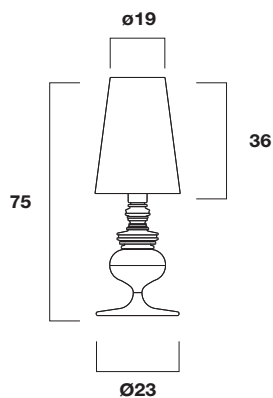
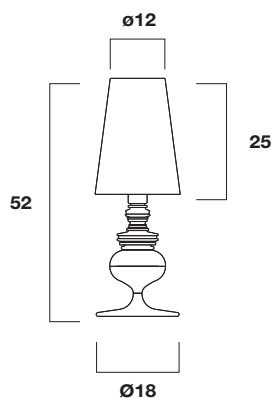


Ceramic structure. Black or white shades in chintz fabric and platinum or gold in metalon. Electrical cable covered in cotton with the same colors. Ambient light.

Design by Jaime Hayon

Dimensions cm

Family page 22-24-96-120



Josephine mini m

Structure / Ceramic

459102500 White

459104700 Black

459107200 Platinum

459100300 Gold

Shade

812082500 White

812084700 Black

812087200 Platinum

812080300 Gold

Lamp

E27 Max. 40W

Josephine m

Structure / Ceramic

451602500 White

451604700 Black

451607200 Platinum

451600300 Gold

Shade

810882500 White

810884700 Black

810887200 Platinum

810880300 Gold

Lamp

E27 Max. 70W



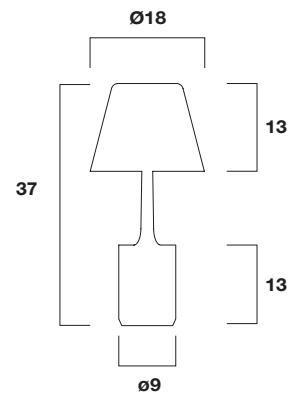
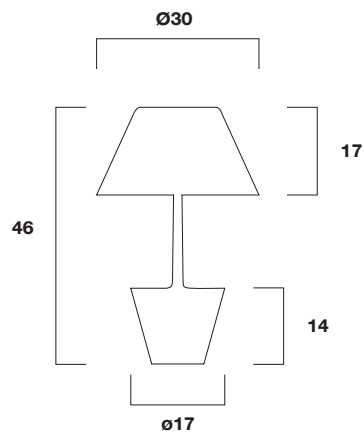
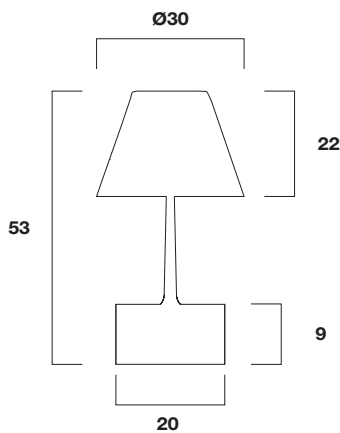
Las Santas Table



White ceramic base and column. Methacrylate lampshade. The Lolita version is activated via an adjustable on / off switch located on the electric cable. The Maria and Teresa versions are activated via a "Touch Dimmer*" located on the base. Ambient lighting.

Design by Jaime Hayon

Dimensions cm



María

Structure / Ceramic

462302500 White

Shade / Methacrylate

White

Lamp

E27 Max. 70W

Teresa

Structure / Ceramic

462502500 White

Shade / Methacrylate

White

Lamp

E27 Max. 70W

Lolita

Structure / Ceramic

462702500 White

Shade / Methacrylate

White

Lamp

G9 Eco Máx 33W

* Consult recommended lamps



Lewit Table

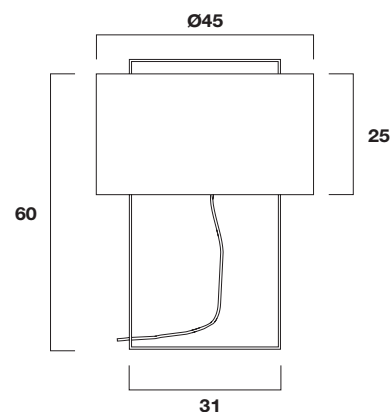
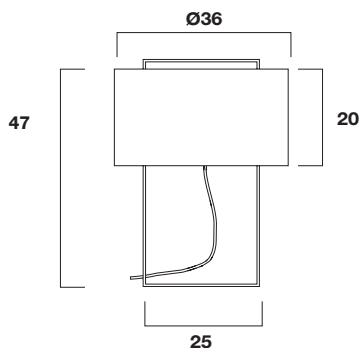
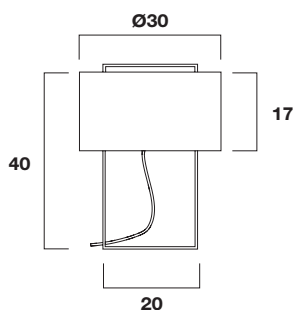


Square steel base. Cylindrical lampshade available in white, black or grey in chintz fabric, or coral, grey or green in Kvadrat fabrics. Upper diffuser in white-painted perforated sheet metal. It switches on with an on/off switch found on the electrical cable for the m Pe version, and on the buckler for the m Me and m Gr versions. Ambient lighting.

Design by Jordi Veciana

Dimensions cm

Family page 30-100-122



Lewit m Pe

Structure

- 457502500 White
- 457504700 Black
- 457506900 Dark grey
- 457508400 Red oxide

Shade

- 811682500 White
- 811684700 Black
- 811686900 Dark grey
- 811684500 Grey Kvadrat
- 811688000 Coral Kvadrat
- 811688500 Green Kvadrat

Lamp

E27 Max. 40W

Lewit m Me

Structure

- 448602500 White
- 448604700 Black
- 448606900 Dark grey
- 448608400 Red oxide

Shade

- 810282500 White
- 810284700 Black
- 810286900 Dark grey
- 810284500 Grey Kvadrat
- 810288000 Coral Kvadrat
- 810288500 Green Kvadrat

Lamp

E27 Max. 70W

Lewit m Gr

Structure

- 448702500 White
- 448704700 Black
- 448706900 Dark grey
- 448708400 Red oxide

Shade

- 810382500 White
- 810384700 Black
- 810386900 Dark grey
- 810384500 Grey Kvadrat
- 810388000 Coral Kvadrat
- 810388500 Green Kvadrat

Lamp

E27 Max. 70W

Plug. Please change the 5th digit of product reference according the destination country for Floor and Table lamps as indicated below:
 digit 5: UK, Malaysia , Singapore, Arabs Emirats , Qatar, Bahrain , Oman, Jordan, Hong Kong. Example: 459102500 for 459152500
 digit 6: Switzerland, Liechtenstein. Example: 459102500 for 459162500
 digit 3: US, Canada, Mexico, Japan Example: 459102500 for 459132500



Libra Table

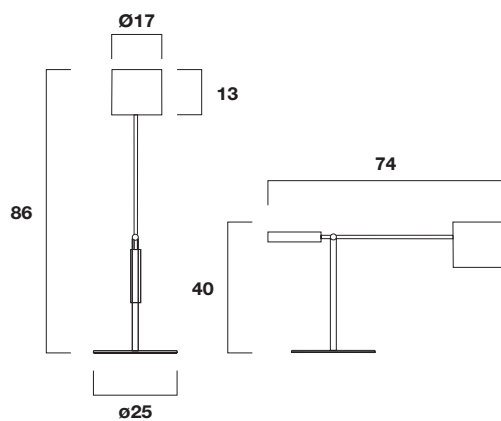


Metal structure with matte nickel finish. Fully-adjustable arm. Tilting shade, either cylindrical white card. Switching by means of on/off switch located in the electrical cable. Direct or ambient light according to which shade is chosen.

Design by Metalarte

Dimensions cm

Family page 102-124



Libra m

Structure

453201000 Satin nickel

Shade / Cylindrical

811082500 Cardboard. White

Lamp

G9 Eco. Max. 60W



Pamela Table

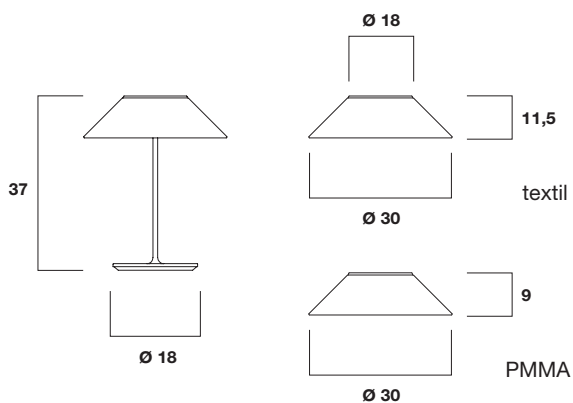


Steel structure in various finishes, brass plated or black chrome and white paint. PMMA injected glass-effect lampshade. Activated by "Touch Dimmer", with a position LED located on the base. Direct and ambient lighting.

Design by Ramon Úbeda & Otto Canalda

Dimensions cm

Family page 32-106-150



Pamela m Pe

Structure

498702501 White 2700K

498702500 White 3000K

498700901 Black chrome 2700K

498700900 Black chrome 3000k

498700301 Brass 2700K

498700300 Brass 3000K

Lamp

integrated LED 17W - dimmable - 1100lm

Shade PMMA

881082500 White

Shade textile

886082500 Conical white

886084700 Conical black



Pamela Table

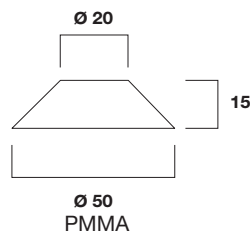
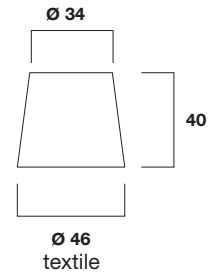
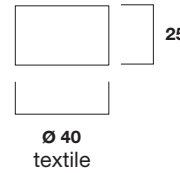
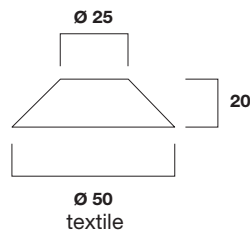
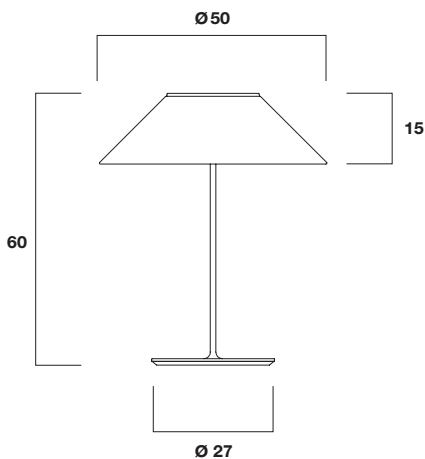


Steel structure in various finishes, brass plated, black chrome or white paint.
PMMA injected glass and textile effect lampshade with painted steel base.
Activated by "Touch Dimmer", with a position LED located on the base.
Direct and ambient lighting.

Design by Ramon Úbeda
& Otto Canalda

Dimensions cm

Family page 32-106-150



Pamela m Gr

Structure

498802501 White 2700K

498802500 White 3000K

498800901 Black chrome 2700K

498800900 Black chrome 3000K

498800301 Brass 2700K

498800300 Brass 3000K

Lamp

LED integrated 19W - dimmable -1600lm

Shade PMMA

882082500 White

Shade textile

884082500 Conical white

884084700 Conical black

883088425 Conical red, white rod

883088447 Conical red, black rod

883082500 Cylindrical white

883084700 Cylindrical black

884088425 Cylindrical red, white rod

884088447 Cylindrical red, black rod

885082500 Semi cylindrical white

885084700 Semi cylindrical black

885088425 Semi cylindrical red, white rod

885088447 Semi cylindrical red, black rod

Plug. Please change the 5th digit of product reference according the destination country for Floor and Table lamps as indicated below:
digit 5: UK, Malaysia , Singapore, Arabs Emirats , Qatar, Bahrain , Oman, Jordan, Hong Kong. Example: 459102500 for 459152500
digit 6: Switzerland, Liechtenstein. Example: 459102500 for 459162500
digit 3: US, Canada, Mexico, Japan Example: 459102500 for 459132500



Shoelaces Table

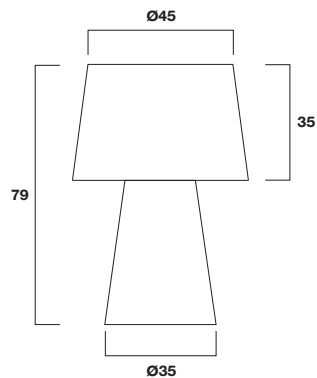
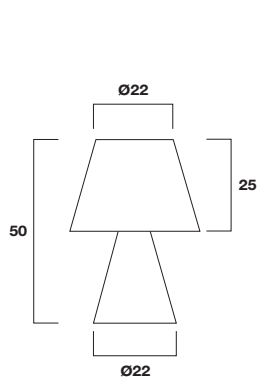


Shade made with shoelaces in different colors. Steel structure painted in black. Black electrical cable in fabrics. Ambient light.

Design by Curro Claret

Dimensions cm

Family page 40



Shoelaces Pe

Structure
458004700 Black
458002100 Grey
458008400 Red
458006200 Green Fluor
458009900 Multi-colour
Lamp
E27 Max. 70W

Shoelaces Me

Structure
458104700 Black
458102100 Grey
458108400 Red
458106200 Green Fluor
458109900 Multi-colour
Lamp
E27 Max. 3x70W



Stones Table

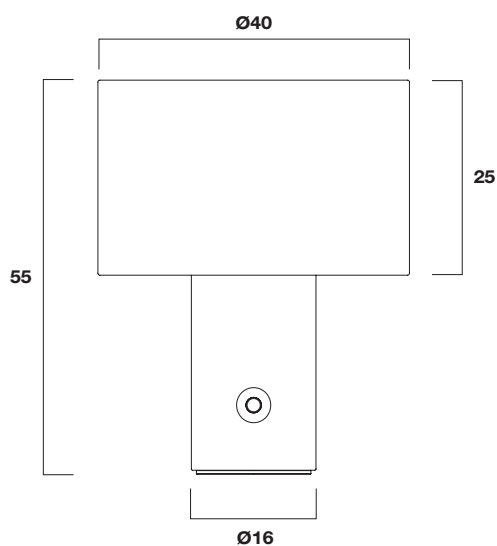


Technical stone structure in black, white or grey. Cylindrical screen in Montblanc with the same colours. Activated via a "Touch Dimmer **" located in the column base. Ambient lighting.

Design by Ramón Úbeda
and Otto Canalda

Dimensions cm

Family page 152



Sharon

Structure

471202500 White

471204700 Black

471204500 Grey

Shade

870402500 White

870404700 Black

870402100 Grey

Lamp

E27 max 70W

* Consult recommended lamps

Plug. Please change the 5th digit of product reference according the destination country for Floor and Table lamps as indicated below:
digit 5: UK, Malaysia , Singapore, Arabs Emirats , Qatar, Bahrain , Oman, Jordan, Hong Kong. Example: 459102500 for 459152500
digit 6: Switzerland, Liechtenstein. Example: 459102500 for 459162500
digit 3: US, Canada, Mexico, Japan Example: 459102500 for 459132500



floor



**Alta Costura
Floor**

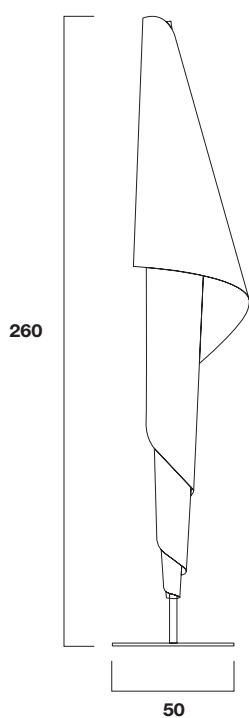


Steel base and column, painted in Axalta black. PVC screen. Ambient light.

Design by Josep Aregall

Dimensions cm

Family page 48

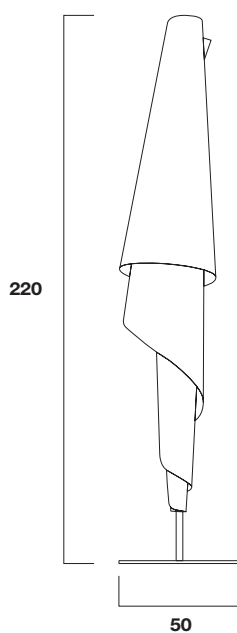


Alta Costura L

Structure / Shade

326904701 Axalta black / PVC

Integrated LED 30W - 2700K - 2650lm

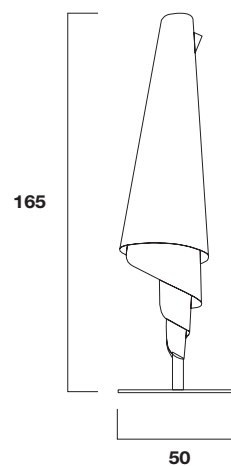


Alta Costura M

Structure / Shade

326704701 Axalta black / PVC

Integrated LED 30W - 2700K - 2650lm



Alta Costura MS

Structure / Shade

327604701 Axalta black / PVC

Integrated LED 15W - 2700K - 1325lm



**Alta Costura
Floor**



Steel base and column, painted in Axalta black. PVC screen. Ambient light.

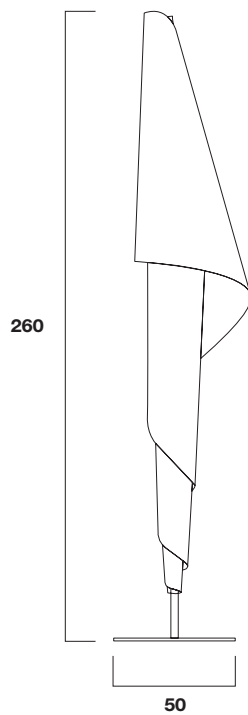
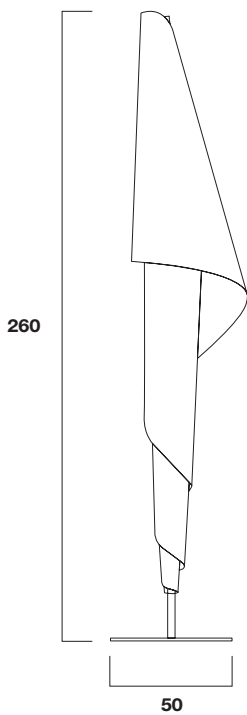
Original design by Josep Aregall

Design Alta Costura by
Cristian Zuzunaga

Design Alta Costura Flags by
Josep Aregall & Ramón Ubeda

Dimensions cm

Family page 48



Alta Costura Zuzunaga

Structure / Shade

327104709

Lamp

Integrated LED 35W - 2700K - 2650lm

Alta Costura L Flags

Structure / Shade

3271047XX Customizable

Lamp

Integrated LED 35W - 2700K - 2650lm



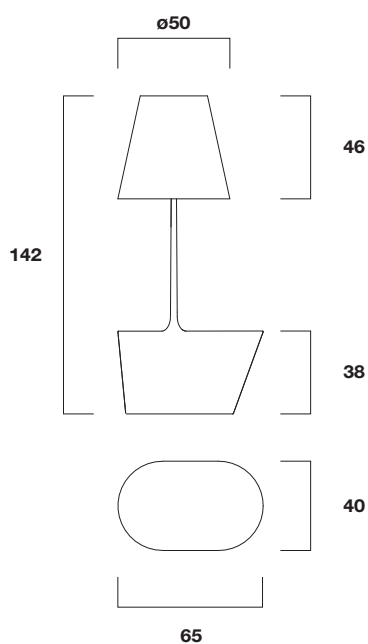
América Floor



Injected polyurethane base and flared metal column finished in black or white piano lacquer. Black or white shaded in patent leather or chintz fabric. Activated via a "Touch Dimmer" located in the base. Ambient light.

Design by Jaime Hayon

Dimensions cm



América

Structure / Polyurethane

362102500 White

362104700 Black

Shade

862282500 White

862282501 White. chintz

862284700 Black

862284701 Black. chintz

Lamp

E27 Max. 2x70W

* Consult recommended lamps

Plug. Please change the 5th digit of product reference according the destination country for Floor and Table lamps as indicated below:
 digit 5: UK, Malaysia , Singapore, Arabs Emirats , Qatar, Bahrain , Oman, Jordan, Hong Kong. Example: 459102500 for 459152500
 digit 6: Switzerland, Liechtenstein. Example: 459102500 for 459162500
 digit 3: US, Canada, Mexico, Japan Example: 459102500 for 459132500



**Bailaora
Floor**

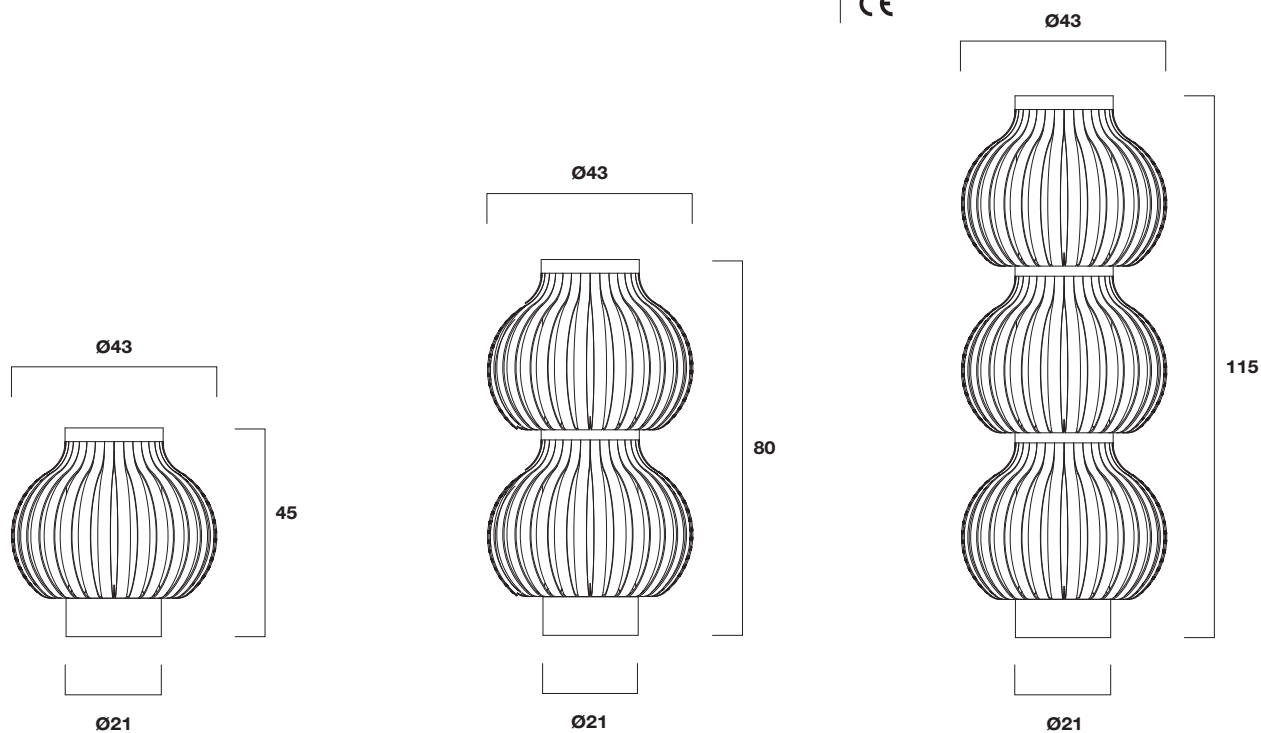


Salinized methacrylate cylindrical structure, coated in black or white EVA foam.
Ambient light

Design by Enoc Armengol

Dimensions cm

Family page 10



Bailaora p

Structure

361800000 Electric Group

Diffuser

861782500 White

861784700 Black

Lamp

E27 Max. 70W



Copacabana Floor

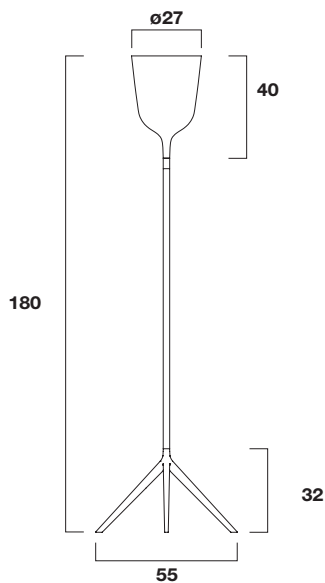


Central column consisting of smooth steel and cast-aluminum base. White shade ceramic combined with white structure and black and copper porcelain shade combined with black structure. Switched on via adjustable, touch-sensitive on/off dimmable* sensor located in the column. Please ask gold and platinum finish. Direct light.

Design by Jaime Hayon

Dimensions cm

Family page 12-114



Copacabana p

Structure / Ceramic

366102500 White

366104700 Black

366106200 Copper

Lamp

E27 Max. 70W

* Consult recommended lamps



Eva Floor

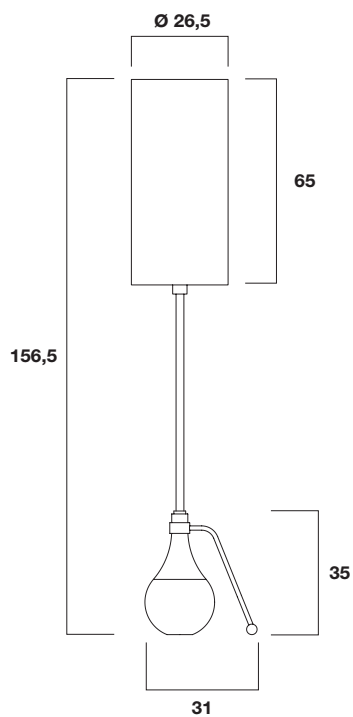


Black marble Markina base and steel brass structure with white fabric shade.
Ambient light.

Design by Lázaro Rosa-Violán

Dimensions cm

Family page 50



Eva p

Structure

366704700 Marble black

Shade

870382500 White

Lamp

E27 Max. 70W



**Frank
de Pie**

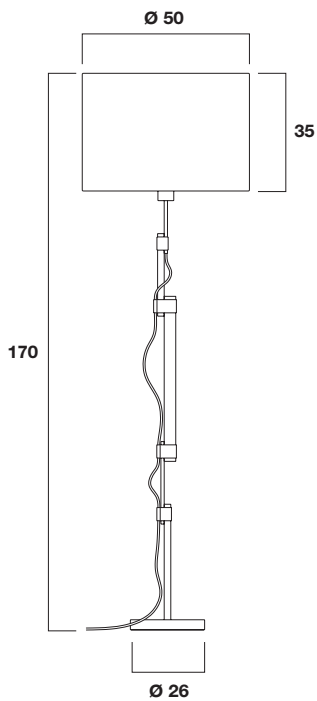


Glossy black lacquered steel structure bathed in glossy copper. Sard fabric shade with white color inside and black or white in the exterior part. Natural leather ribbon. Ambient light.

Design by Lázaro Rosa-Violán

Dimensions cm

Family page 52



Frank p

Structure

398404700 Black brilliant

Shade

870982500 White

870984700 Black

Lamp

E27 Max. 70W



Hansen Floor

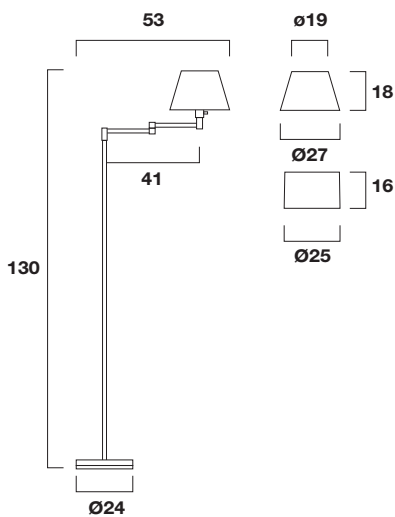


Brass structure with either polished brass or matte nickel finish. Conical shade in white trilon fabric or cylindrical shade in beige card. Direct and indirect light.

Design by George W. Hansen

Dimensions cm

Family page 56-118



Hansen 3982

Structure

398200100 Polished brass

398201000 Satin nickel

Shade

800580225 Conical. Trilon. White

808780326 Cylindrical. Cardboard. Beige

Lamp

E27 Max. 70W



**Inout IN
Floor**



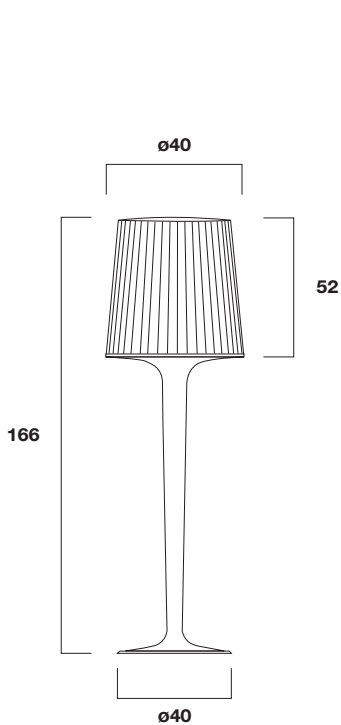
One-piece rotomoulded polyethylene structure. Chromed injected ABS inspection cover. Black enameled cast iron base. Switching by means of on/off switch located in the electrical cable. Only for indoor use. Ambient light.

Design by Ramón Úbeda and Otto Canalda

Dimensions cm

Family page 20-58-142

CE IP44



Inout Me in

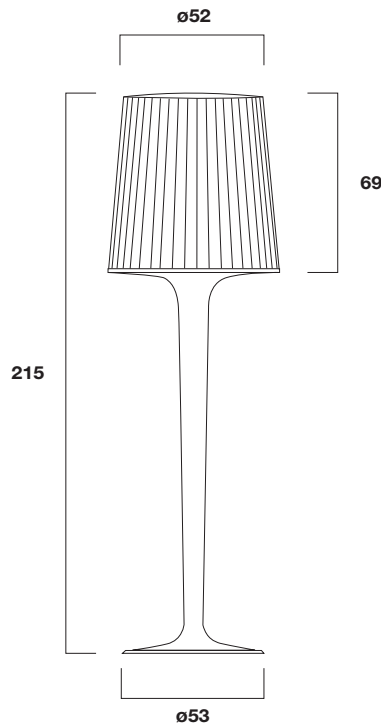
Structure / Polyethylene

747900001 White

747900031 Red

Lamp

E27 Max. 2x40W



Inout Gr in

Structure / Polyethylene

748000001 White

748000031 Red

Lamp

E27 Max. 2x70W



Josephine X Floor

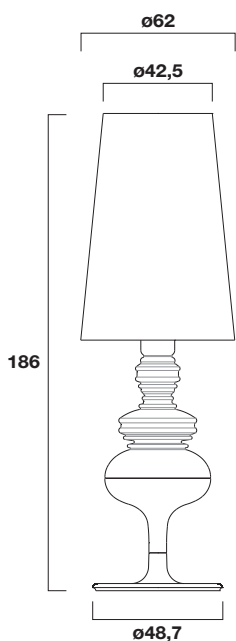


Ceramic structure. Chintz fabric screens. Switching by means of on/off dimmable* switch located in the electrical cable. Ambient light. Limited edition in 10 special colors, numbered and signed by Jaime Hayon.

Design by Jaime Hayon

Dimensions cm

Family page 22-24-60-120



Josephine X limited edition

Structure / Ceramic

358000041 Azul Mediterraneo

358000095 Azul Okura

358000093 Mango Tropical

358000042 Danish Pine Green

358000038 Celadón Imperial

358000098 Gris Lava Lanzarote

358000021 Pink Bunny

358000057 Bordeaux Français

358000061 Crema Brancusi

358000055 Dutch Clay

Shade

813080041 Azul Mediterraneo

813080095 Azul Okura

813080093 Mango Tropical

813080042 Danish Pine Green

813080038 Celadón Imperial

813080098 Gris Lava Lanzarote

813080021 Pink Bunny

813080057 Bordeaux Français

813080061 Crema Brancusi

813080055 Dutch Clay

Lamp

E27 Máx. 3x40W

Josephine X

Structure / Ceramic

358000025 White

358000047 Black

Shade

813080025 White

813080047 Black

Lamp

E27 Max. 3x40W

* Consult recommended lamps

Plug. Please change the 5th digit of product reference according the destination country for Floor and Table lamps as indicated below:
digit 5: UK, Malaysia , Singapore, Arabs Emirats , Qatar, Bahrain , Oman, Jordan, Hong Kong. Example: 459102500 for 459152500
digit 6: Switzerland, Liechtenstein. Example: 459102500 for 459162500
digit 3: US, Canada, Mexico, Japan Example: 459102500 for 459132500



Josephine X
Floor



Gris Lava Lanzarote



Crema Brancusi



Azul Mediterraneo



Danish Pine Green



Mango Tropical

Limited edition. Numbered and signed by Jaime Hayon



Azul Okura



Bordeaux Français



Pink Bunny

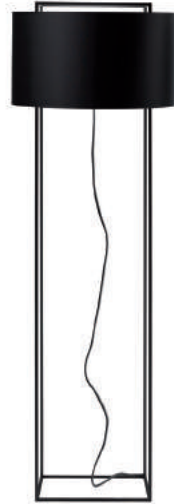
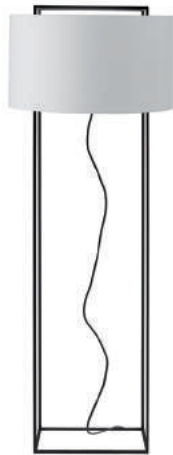


Celadón Imperial



Dutch Clay

Lewit Floor

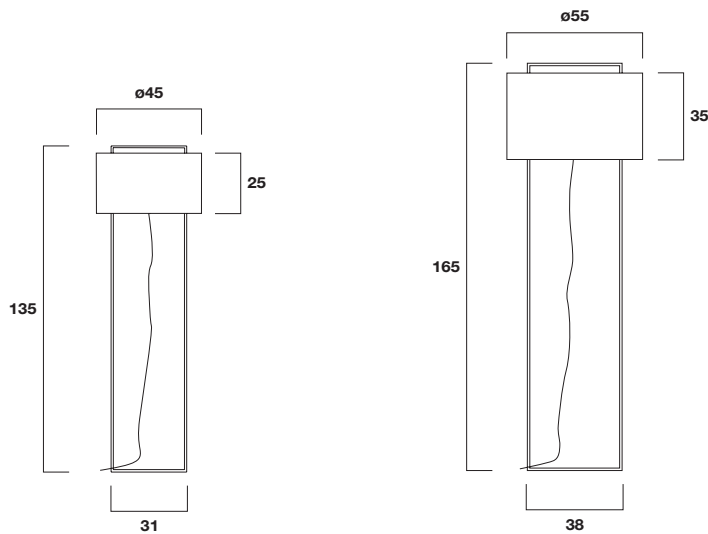


Square steel base. Cylindrical lampshade available in white, black or grey in chintz fabric, or coral, grey or green in Kvadrat fabrics. Metal frame and ceiling rose. Three stainless steel adjustable, self-locking cables. Switched on via adjustable on/off dimmable* located in the black and white electric cable. Ambient lighting.

Design by Jordi Veciana

Dimensions cm

Family page 30-64-122



Lewit p Pe

Structure

354202500 White
354204700 Black
354206900 Dark grey
354208400 Red oxide

Shade

810382500 White
810384700 Black
810386900 Dark grey
810384500 Grey Kvadrat
810388000 Coral Kvadrat
810388500 Green Kvadrat

Lamp

E27 Max. 2x70W

* Consult recommended lamps

Lewit p Gr

Structure

348902500 White
348904700 Black
348906900 Dark grey
348908400 Red oxide

Shade

810582501 White
810584701 Black
810586901 Dark grey
810584501 Grey Kvadrat
810588001 Coral Kvadrat
810588501 Green Kvadrat

Lamp

E27 Max. 2x70W



Libra Floor

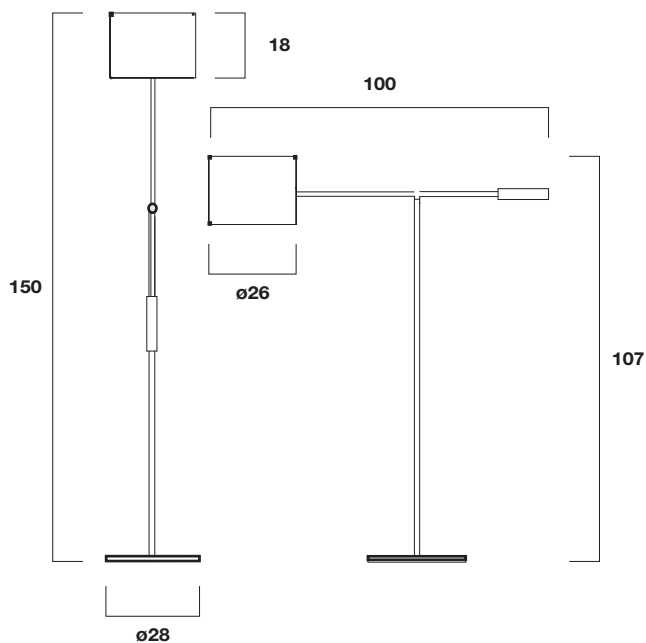


Metal structure. Fully-adjustable arm. Tilting shade, either cylindrical white card. Switching by means of on/off switch located in the lamp-holder. Direct or ambient light according to which shade is chosen.

Design by Metalarte

Dimensions cm

Family page 66-124



Libra p

Structure

346101010 Satin nickel

Shade Cylindrical

810182500 Cardboard. White

Lamp

E27 Max. 70W



Mamba Floor



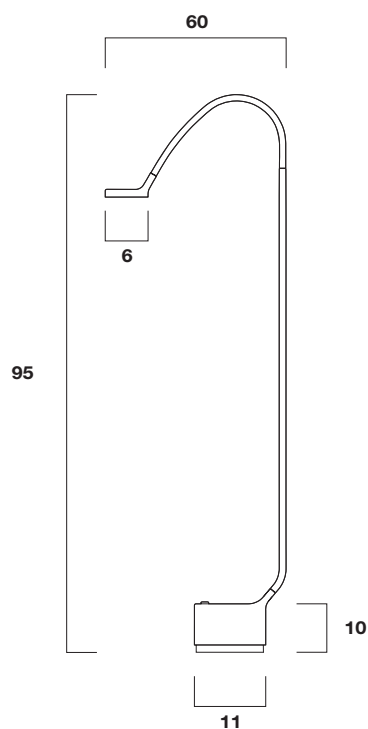
Adjustable injected aluminum hood, containing four LEDs giving warm light.
PVC-coated steel and flexo column. Square injected aluminum base enameled.
Switching by means of on/off in the base. Direct light.

Design by Lagranja

Dimensions cm

Family page 126

CE IP30



Mamba p

Structure / PVC

360202500 White

360207400 Graphite grey

Lamp

Integrated LED 4x1.2W - 2700K - 250lm



Pamela Floor

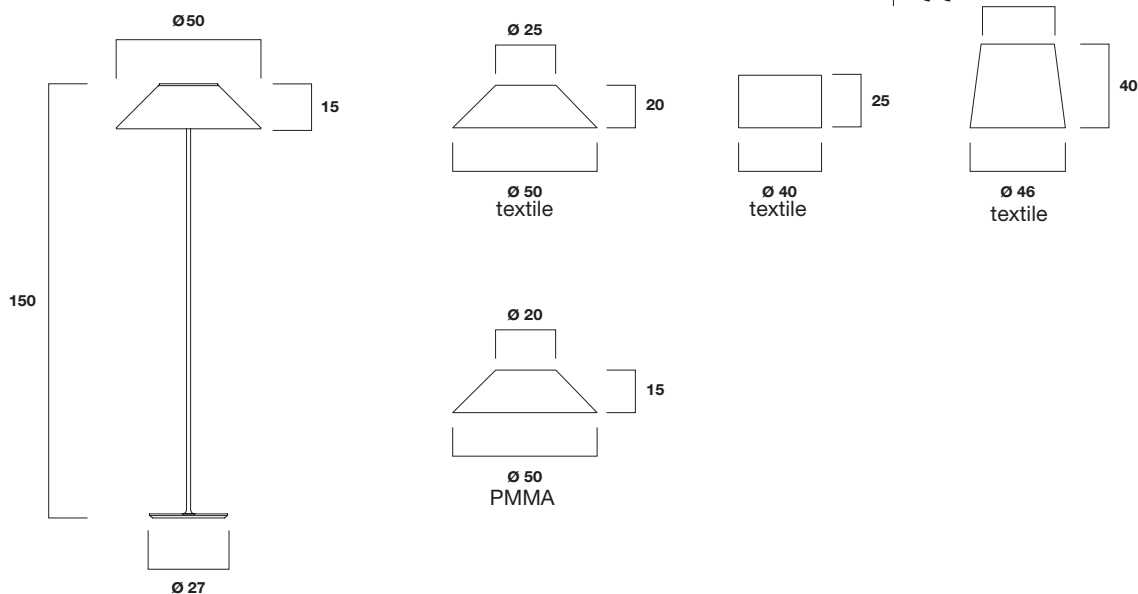


Steel structure in various finishes, brass plated, black chrome or white paint. PMMA injected glass and textile effect lampshade with painted steel base. Switched on via adjustable on/off sensor located in the black electric cable. Direct and ambient lighting.

Design by Ramon Úbeda & Otto Canalda

Dimensions cm

Family page 32-68-150



Pamela p Gr

Structure

398502501 White 2700K

398502500 White 3000K

398500901 Black chrome 2700K

398500900 Black chrome 3000K

398500301 Brass 2700K

398500300 Brass 3000K

Lamp

integrated LED 18W - dimmable - 1600lm

Shade PMMA

882082500 White

Shade textile

884082500 Conical white

884084700 Conical black

883088425 Conical red, white rod

883088447 Conical red, black rod

883082500 Cylindrical white

883084700 Cylindrical black

884088425 Cylindrical red, white rod

884088447 Cylindrical red, black rod

885082500 Semi cylindrical white

885084700 Semi cylindrical black

885088425 Semi cylindrical red, white rod

885088447 Semi cylindrical red, black rod

Plug. Please change the 5th digit of product reference according the destination country for Floor and Table lamps as indicated below:
digit 5: UK, Malaysia , Singapore, Arabs Emirats , Qatar, Bahrain , Oman, Jordan, Hong Kong. Example: 459102500 for 459152500
digit 6: Switzerland, Liechtenstein. Example: 459102500 for 459162500
digit 3: US, Canada, Mexico, Japan Example: 459102500 for 459132500



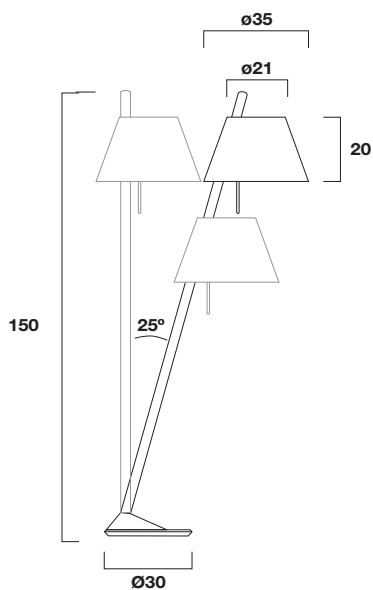
Sinclina Floor



Tilting column in silver-anodized extruded aluminum. Adjustable-height white translucent shade. Cast aluminum circular base enameled grey. Switching by means on/off switch integrated into the support. Direct and ambient light.

Design by Estudi Blanc

Dimensions cm



Sinclina

Structure / Shade

323207800 Silver / White

Lamp

E27 Max. 70W



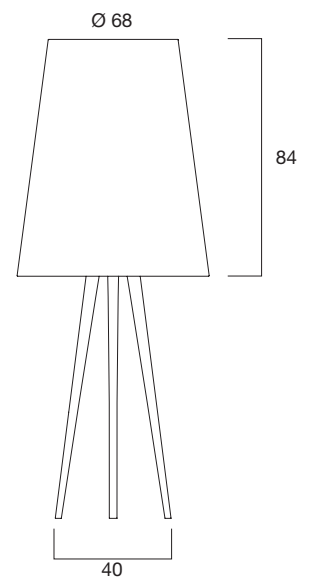
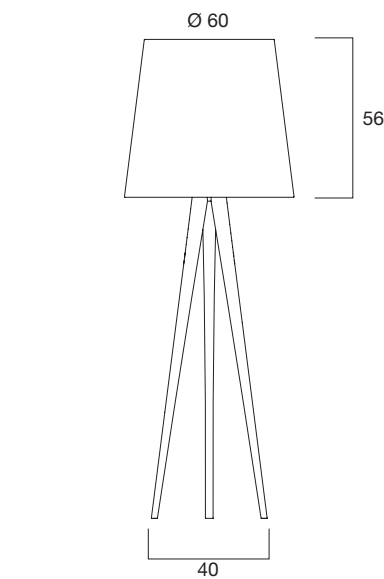
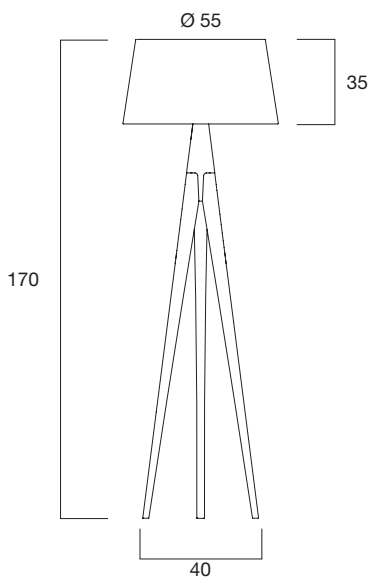
Triana Floor



A standing lamp in natural wood or injected polyurethane, finished in black and white piano lacquer or painted satin yellow. Shade in chintz fabric. Switched on via adjustable on/off dimmable* sensor located in the black and white electric cable. Ambient light.

Design by Ramón Úbeda & Otto Canalda

Dimensions cm



Triana Pe

Structure

- 361304700 Black
- 361302500 White
- 361307700 Yellow
- 36130FR00 Natural wood

Shade

- 861484700 Black
- 861482500 White
- 861487700 Yellow

Lamp

E27 Max. 70W

Triana Me

Structure

- 361304700 Black
- 361302500 White
- 361307700 Yellow
- 36130FR00 Natural wood

Shade

- 861584700 Black
- 861582500 White
- 861587700 Yellow

Lamp

E27 Max. 70W

Triana Gr

Structure

- 361304700 Black
- 361302500 White
- 361307700 Yellow
- 36130FR00 Natural wood

Shade

- 861684700 Black
- 861682500 White
- 861687700 Yellow

Lamp

E27 Max. 70W

* Consult recommended lamps

Plug. Please change the 5th digit of product reference according the destination country for Floor and Table lamps as indicated below:
 digit 5: UK, Malaysia, Singapore, Arabs Emirats, Qatar, Bahrain, Oman, Jordan, Hong Kong. Example: 459102500 for 459152500
 digit 6: Switzerland, Liechtenstein. Example: 459102500 for 459162500
 digit 3: US, Canada, Mexico, Japan Example: 459102500 for 459132500



wall



Copacabana Wall

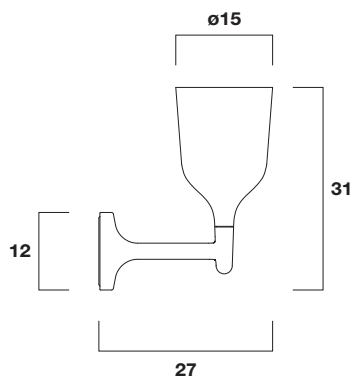


Structure and shade in ceramic. Please ask for gold and platinum finish. Direct light.

Design by Jaime Hayon

Dimensions cm

Family page 12-86-114



Copacabana a

Structure / Ceramic

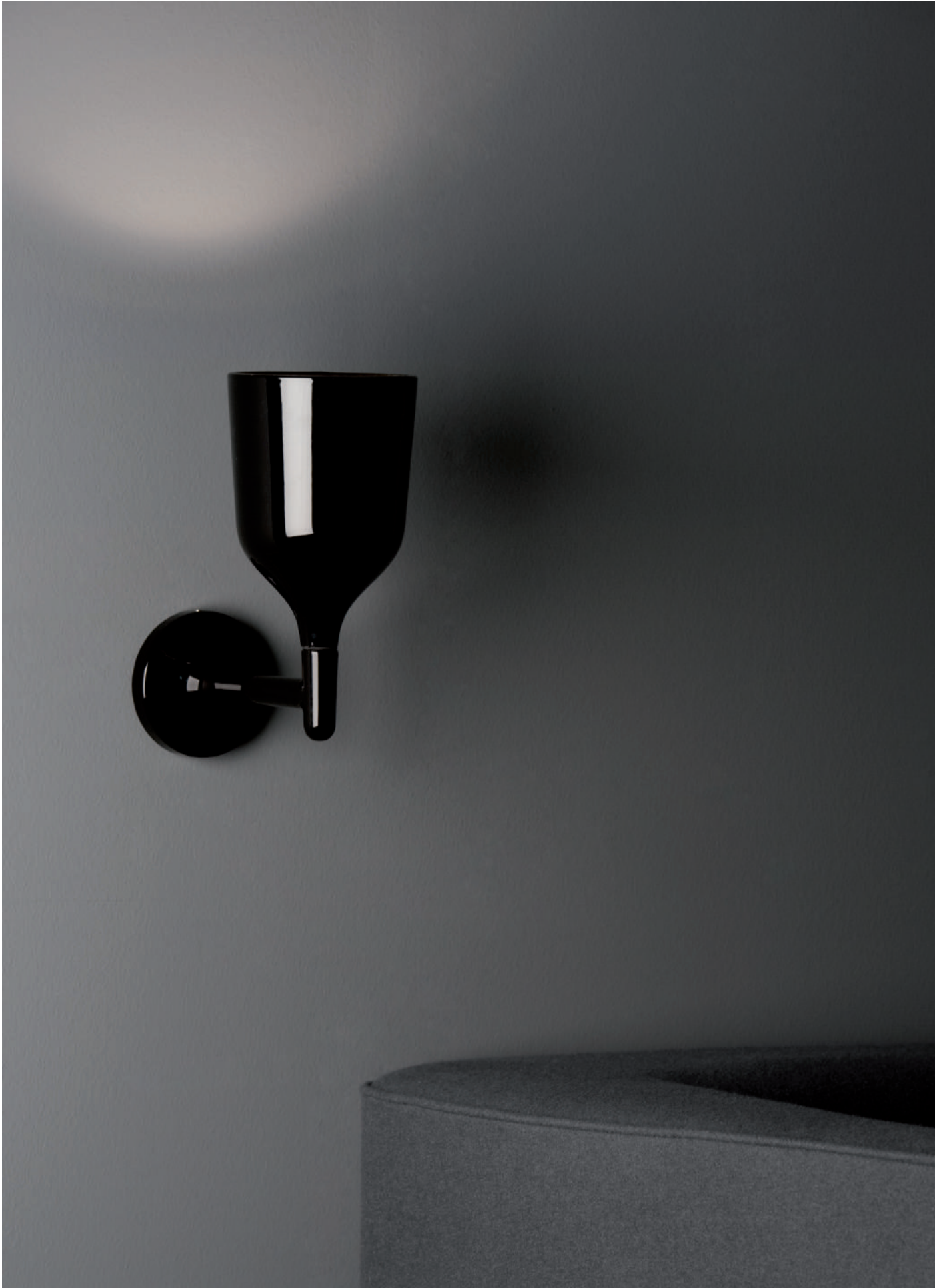
165802500 White

165804700 Black

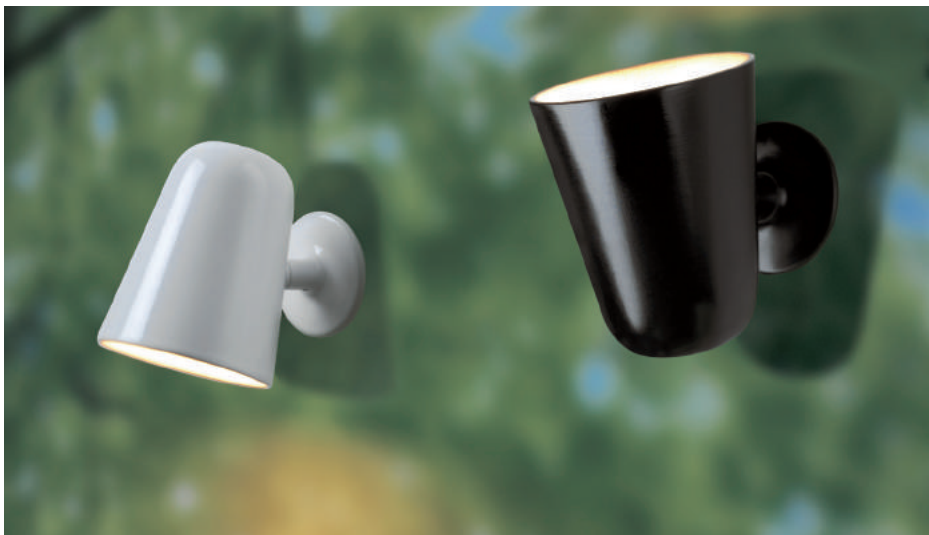
165806200 Copper

Lamp

E27 Max. 40W



Funghi Wall

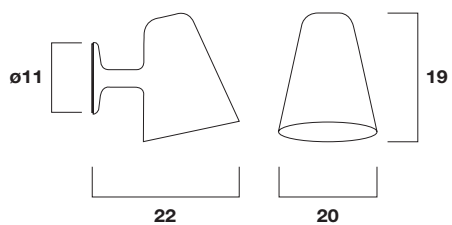


Structure and shade in ceramic. Direct light.
Gold and platinum finishes upon request.

Design by Jaime Hayon

Dimensions cm.

Family page 54



Funghi a

Structure / Ceramic

154602500 White

154604700 Black

Lamp

E27 Max. 40W



Hansen Wall

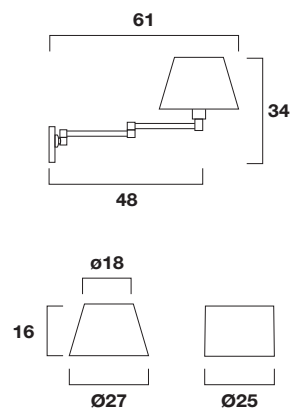
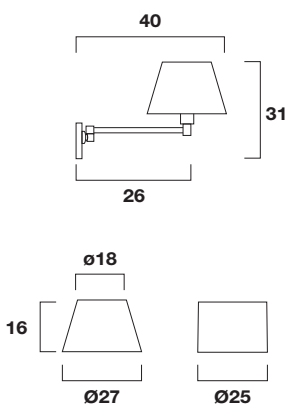
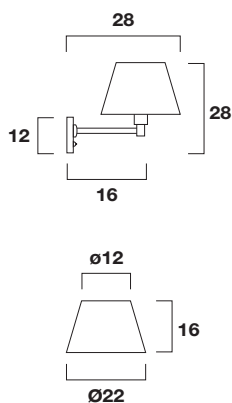


Brass structure with either polished brass or matte nickel finish. Conical shade in with trilon fabric or cylindrical shade in beige card. Direct and ambient light.

Design by George W. Hansen

Dimensions cm

Family page 56-92



Hansen 1148

Structure

- 114800100 Polished brass
- 114801000 Satin nickel

Shade

- 800380225 Conical. Trilon. White

Lamp

- E27 Max. 40W

Hansen 1705

Structure

- 170500100 Polished brass
- 170501000 Satin nickel

Shade

- 800280225 Conical. Trilon. White
- 808780326 Cylindrical. Cardboard. Beige

Lamp

- E27 Max. 40W

Hansen 1706

Structure

- 170600100 Polished brass
- 170601000 Satin nickel

Shade

- 800280225 Conical. Trilon. White
- 808780326 Cylindrical. Cardboard. Beige

Lamp

- E27 Max. 40W



Josephine mini Wall

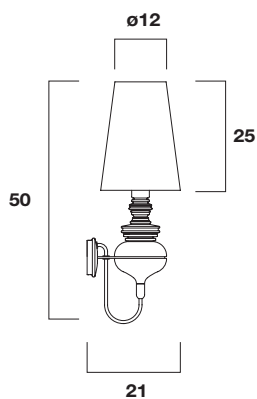


Ceramic structure. Black or white shades in chintz fabric and platinum or gold in metalon. Ambient light.

Design by Jaime Hayon

Dimensions cm

Family page 22-24-60-96



Josephine mini a

Structure / Ceramic

159002500 White

159004700 Black

159007200 Platinum

159000300 Gold

Shade

812082500 White

812084700 Black

812087200 Platinum

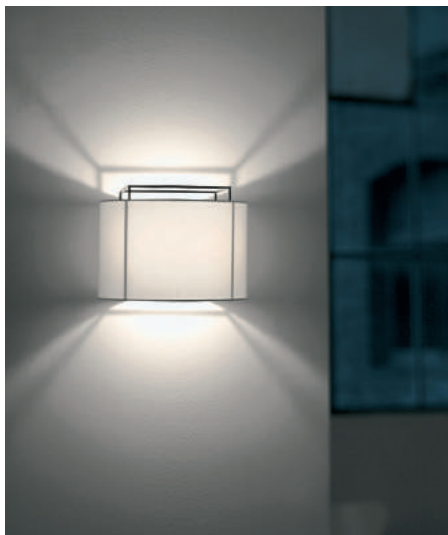
812080300 Gold

Lamp

E27 Max. 40W



Lewit Wall

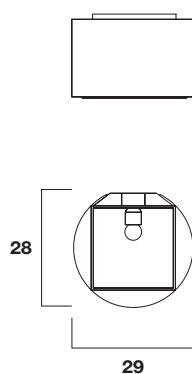
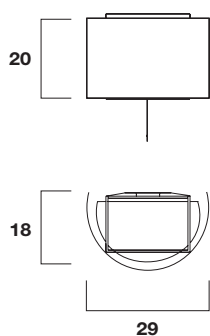


Square steel rod structure. Cylindrical lampshade in white, black or grey in chintz fabric, or coral, grey and green in Kvadrat fabrics. A top diffuser in white polycarbonate is featured on the a Pe version only. The Lewit a Pe version is activated via an on / off switch located in the socket. Direct and ambient lighting.

Design by Jordi Veciana

Dimensions cm

Family page 30-64-100



Lewit a Pe

Structure

157602500 White
157604700 Black
157606900 Dark grey
157608400 Red oxide

Shade

811782500 White
811784700 Black
811786900 Dark grey
811784500 Grey Kvadrat
811788000 Coral Kvadrat
811788500 Green Kvadrat

Lamp

E27 Max. 40W

Lewit a Gr

Structure

149102500 White
149104700 Black
149106900 Dark grey
149108400 Red oxide

Shade

810682500 White
810684700 Black
8106846900 Dark grey
810684500 Grey Kvadrat
810688000 Coral Kvadrat
810688500 Green Kvadrat

Lamp

E27 Max. 70W



Libra Wall

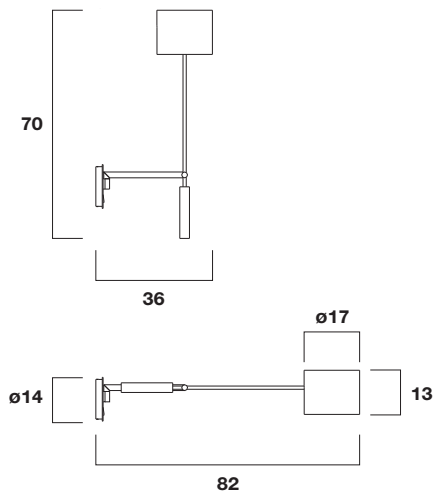


Metal arm with matte nickel finish, fully adjustable. Tilting shade, either cylindrical white card. Switching by means of on/off switch on wall plate. Direct or ambient light according to which shade is chosen.

Design by Metalarte

Dimensions cm

Family page 66-102



Libra a

Structure

153101000 Satin nickel

Shade Cylindrical

811082500 Cardboard. White

Lamp

G9 Eco. Máx. 60W



Mamba Wall



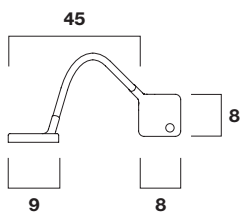
Adjustable injected aluminum hood, containing four LEDs giving warm light. Flexible metal column covered in PVC. Injected aluminum wall support. Switching by means of on/off on the wall plate. Direct light.

Design by Lagranja

Dimensions cm

Family page 104

CE IP30



Mamba a

Structure

160102500 White

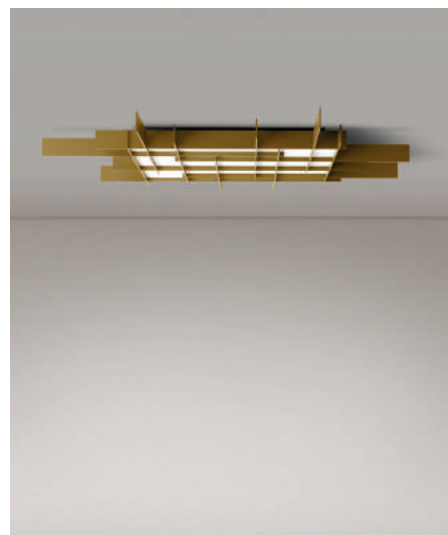
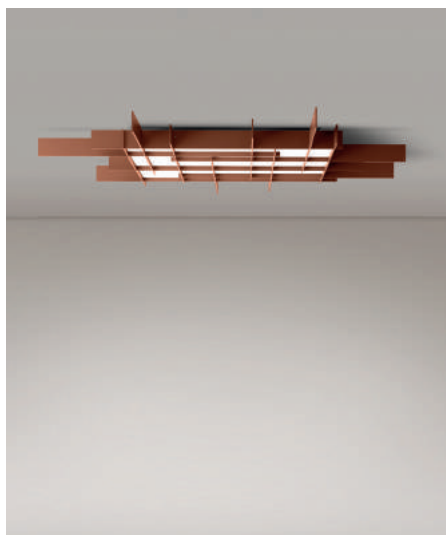
160107400 Graphite grey

Lamp

LED integrated 4x1.2W - 2700K - 250lm



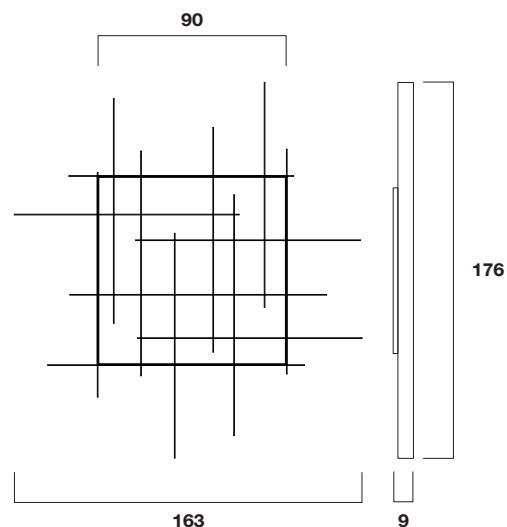
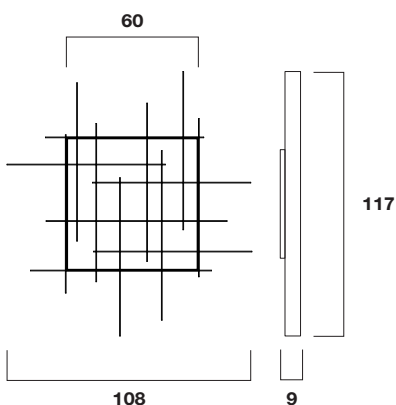
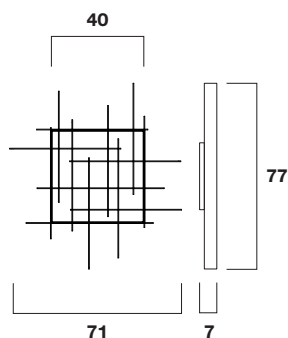
Mondrian Wall



Visible structure made of painted aluminum. Special PMMA diffuser combining high transparency and uniform light diffusion qualities. Internal structure made of steel painted matt white. LED panel with built-in lenses. Comes with a hook for ceiling pre-installation. Dimmable. Ambient light.

Design by Carlos Álvarez

Dimensions cm



Mondrian Pe

Structure

- 171208901 Anthracite 2700K
- 171208900 Anthracite 3000K
- 171206201 Bronze 2700K
- 171206200 Bronze 3000K
- 171200201 Gold mat 2700K
- 171200200 Gold mat 3000K

Lamp

integrated LED 25W - dimmable - 1000lm

Mondrian Me

Structure

- 171308901 Anthracite 2700K
- 171308900 Anthracite 3000K
- 171306201 Bronze 2700K
- 171306200 Bronze 3000K
- 171300201 Gold mat 2700K
- 171300200 Gold mat 3000K

Lamp

integrated LED 45W - dimmable - 2200lm

Mondrian Gr

Structure

- 171408901 Anthracite 2700K
- 171408900 Anthracite 3000K
- 171406201 Bronze 2700K
- 171406200 Bronze 3000K
- 171400201 Gold mat 2700K
- 171400200 Gold mat 3000K

Lamp

integrated LED 90W - dimmable - 3800lm



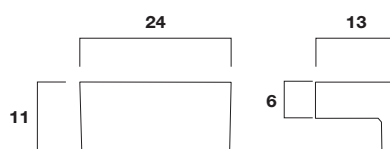
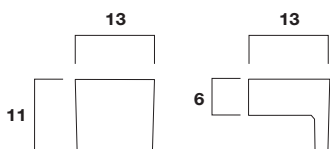
Tequila Wall



Injected aluminum shade. Ambient light.

Design by Mario Ruiz

Dimensions cm



Tequila Pe

Structure / Aluminium

159907402 Graphite grey

159902502 White

Lamp

Integrated LED 8,5W - 2800K - 750lm

Tequila Gr

Structure / Aluminium

160007402 Graphite grey

160002502 White

Lamp

Integrated LED 13W - 2800K - 1000lm



Zip LED Wall

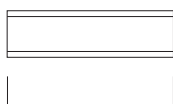
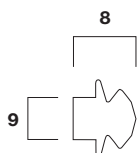


Silver-anodized extruded aluminum profile and translucent extruded polycarbonate diffuser. Terminal caps in black injected ABS. Steel wall support. Optionally, supplied with chrome hangers and hooks which slide along the lower slot.

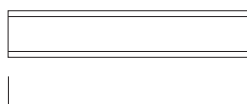
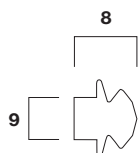
Design by Sergi & Óscar Devesa

Dimensions cm

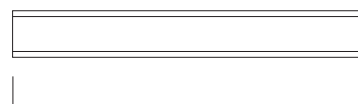
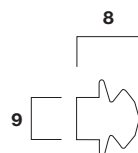
CE IP44



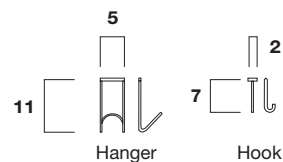
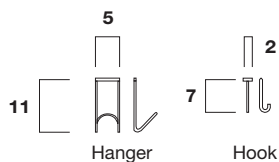
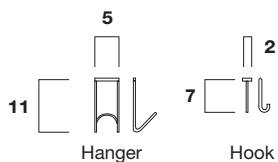
59



89



119



Zip Pe

Structure / Diffuser

146802101 Silver / Translucent

Lamp

Integrated LED 15W - 3000K - 1550lm

Accessories

610100600 Hanger / Chrome

610200600 Hook / Chrome

Zip Me

Structure / Diffuser

146802103 Silver / Translucent

Lamp

Integrated LED 20W - 3000K - 2000lm

Accessories

610100600 Hanger / Chrome

610200600 Hook / Chrome

Zip Gr

Structure / Diffuser

146802105 Silver / Translucent

Lamp

Integrated LED 25W - 3000K - 2150lm

Accessories

610100600 Hanger / Chrome

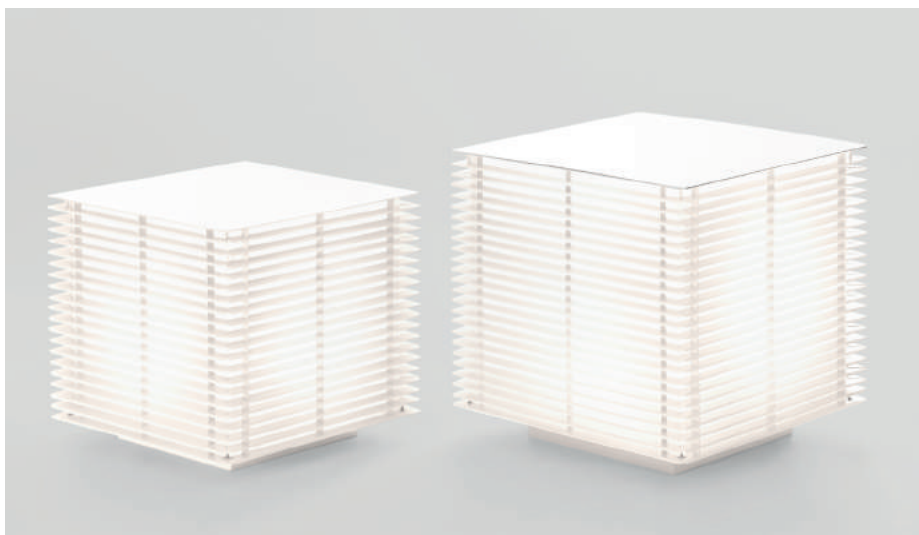
610200600 Hook / Chrome



outdoor



**Dojo
Outdoor**

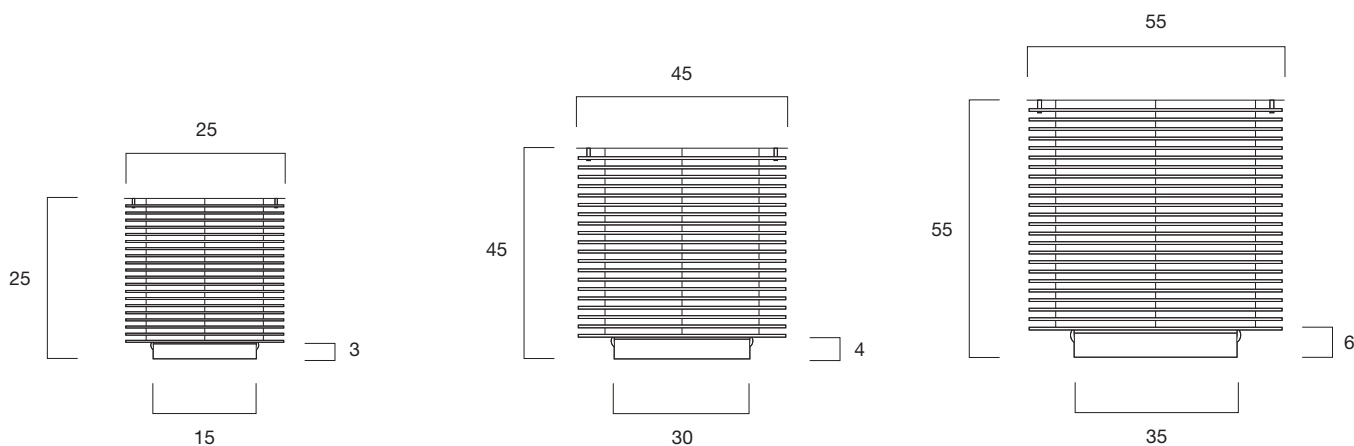


Structure formed by extruded anodized aluminum grills and an iron lid. Methacrylate opal diffuser. Weatherproof protector made of translucent injected polycarbonate. It includes fixtures for surface mounting and for concrete footing.

Design by Antoni Arola

Dimensions cm

CE IP65



Dojo Pe

Structure

738305000 Silver

738305001 Silver - LED

738302500 White

738302501 White - LED

738308100 Oxide Brown

738308101 Oxide Brown - LED

Lamp

E27 Max. 20W

Integrated LED 8,5W - 3000K - 550lm

Dojo Me

Structure

738405000 Silver

738405001 Silver - LED

738402500 White

738402501 White - LED

738408100 Oxide Brown

738408101 Oxide Brown - LED

Lamp

E27 Max. 20W

Integrated LED 8,5W - 3000K - 550lm

Dojo Gr

Structure

738505000 Silver

738505001 Silver-LED

738502500 White

738502501 White - LED

738508100 Oxide Brown

738508101 Oxide Brown-LED

Lamp

E27 Max. 2x20W

Integrated LED 2x8,5W - 3000K - 1000lm

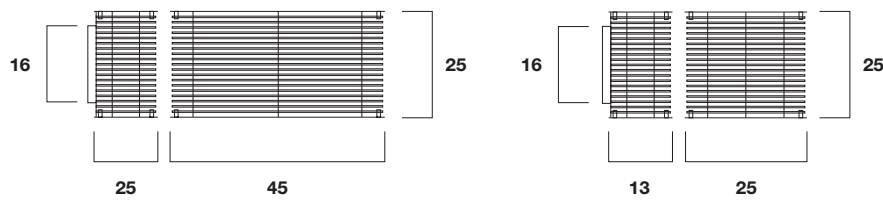


Structure formed by extruded anodized aluminum grills and an iron lid. Methacrylate opal diffuser. Weatherproof protector made of translucent injected polycarbonate. It includes fixtures for surface mounting and for concrete footing.

Design by Antoni Arola

Dimensions cm

CE IP65



Dojo a Pe

Structure

738605000 Silver

738605001 Silver - LED

738602500 White

738602501 White - LED

738608100 Oxide Brown

738608101 Oxide Brown - LED

Lamp

E27 Max. 20W

Integrated LED 8,5W - 3000K - 425lm

Dojo a Gr

Structure

751405000 Silver

751405001 Silver - LED

751402500 White

751402501 White - LED

751408100 Oxide Brown

751408101 Oxide Brown - LED

Lamp

E27 Max. 2x20W

Integrated LED 2x8,5W - 3000K - 850lm

Dojo
Outdoor





Frida Outdoor

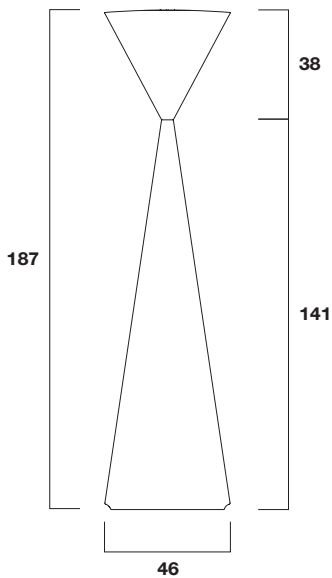


Rotomoulded polyethylene cones structure. Independent on/off function for each screen (upper and lower) using a button located in the upper corner. Counterweight cast iron and stainless steel anchorage. Ambient light.

Design by Serraydelarocha

Dimensions cm

CE IP65



Frida Led

Structure

768000003 White

Lamp

E27 Max. 18W + LED integrated 6x4W 3000K



Inout OUT
Outdoor

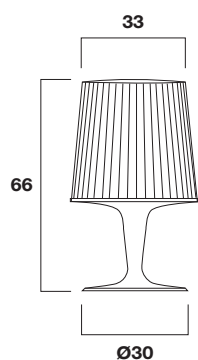


One-piece rotomoulded polyethylene structure. Chromed injected ABS inspection cover. Black enameled cast iron base.

Design by Ramón Úbeda and Otto Canalda

Dimensions cm

CE IP65



Inout Pe

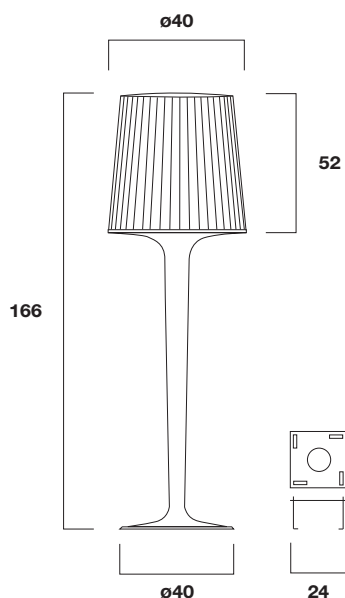
Structure / Polyethylene

747800001 White

747800031 Red

Lamp

E27 Max. 40W



Inout Me

Structure / Polyethylene

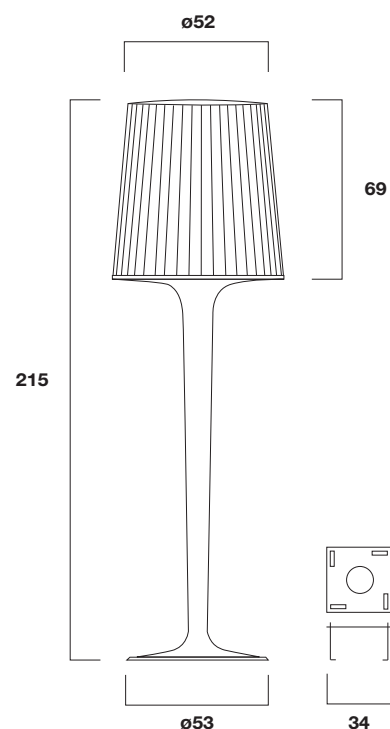
747900000 White

747900030 Red

610400001 Anclaje

Lamp

E27 Max. 2x40W



Inout Gr

Structure / Polyethylene

748000000 White

748000030 Red

610400000 Anclaje

Lamp

E27 Max. 2x70W



Gran Hotel Central - Barcelona

Mate Outdoor

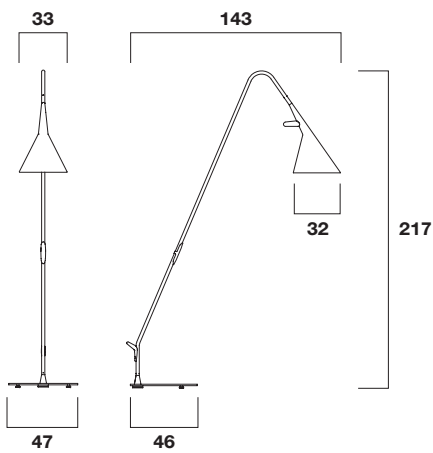


Structure and base in steel. Rotomoulded polyethylene diffuser. Switching by means of on/off sensor line in silicone on the diffuser. The cable is arranged neatly in the bottom of the column.

Design by Geert Koster

Dimensions cm

CE IP65



Mate

Structure / Polyethylene

766902500 White

Lamp

E27 Max. 40W



Nanit Outdoor

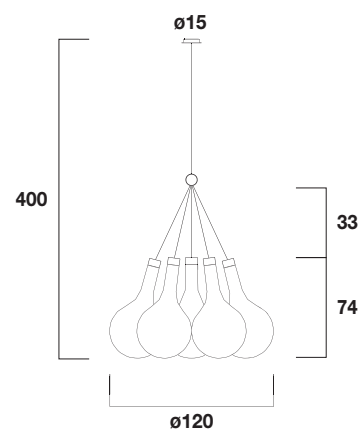
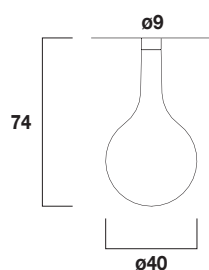
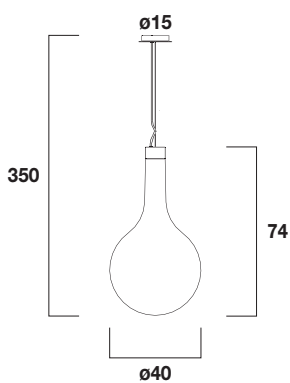


Collection of rotomoulded polyethylene diffusers with natural finish. The family is composed of two suspension lamps with one or seven diffusers and a wall bracket.

Design by Ramón Úbeda
& Otto Canalda

Dimensions cm

CE IP65 IP44 - Nanit t7



Nanit t1

Canopy and electric group

756002500 Aluminium. White

756005600 Aluminium. Silver

Diffuser / Polyethylene

7556000000 Translucent

Lamp

E27 Max. 70W

Nanit t2

Canopy and electric group

756102500 Aluminium. White

756105600 Aluminium. Silver

Diffuser / Polyethylene

7556000000 Translucent

Lamp

E27 Max. 70W

Nanit t7

Canopy and electric group

756202500 Aluminium. White

756205600 Aluminium. Silver

Diffuser / Polyethylene

755600000x7 Translucent

Lamp

E27 Max. 7x70W



Nawa LED Outdoor

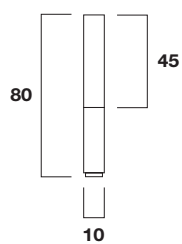


Lighting family composed of three standing column lamps and two wall lamps. Column and header in extruded aluminium with a silver lacquer. Opal-white methacrylate diffuser. Indoor and outdoor use.

Design by Antoni Arola

Dimensions cm

CE IP65



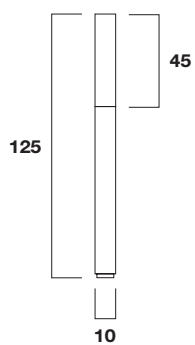
Nawa Pe

Structure

741305001 Silver

Lamp

LED integrated 20W - 3000K - 2000lm



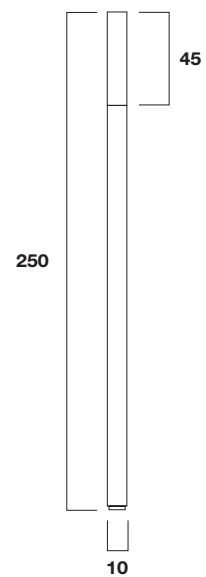
Nawa Me

Structure

741405001 Silver

Lamp

LED integrated 20W - 3000K - 2000lm



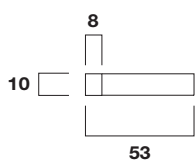
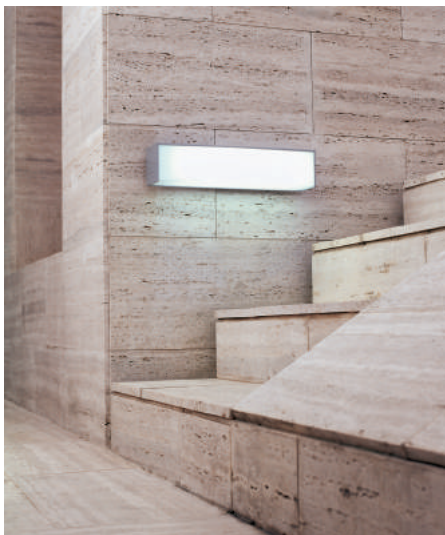
Nawa Gr

Structure

741505001 Silver

Lamp

LED integrated 20W - 3000K - 2000lm



Nawa a1

Structure

741605001 Silver

Lamp

LED integrated 15W - 3000K - 1350lm

Nawa a2

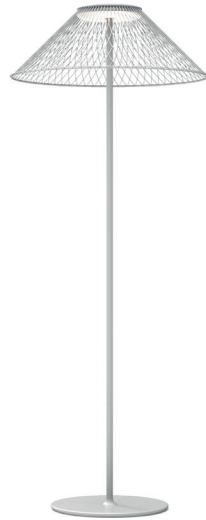
Structure

741705001 Silver

Lamp

LED integrated 15W - 3000K - 1350lm

Pamela Outdoor



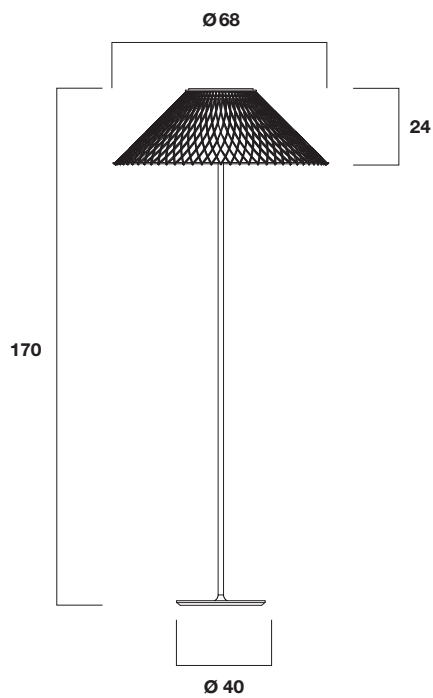
Screen, calibrated tubular steel column and base, painted with a special white coating for outdoor environments. Lighting protected by three anti-corrosion processes. Ambient lighting.

Design by Ramón Úbeda
& Otto Canalda

Dimensions cm

Family page 32-68-106

CE IP65



Pamela Gr

Structure

748602500 White

Shade

780182500

Lamp

integrated LED18W - 3000K - 1600lm



**Stones
Outdoor**

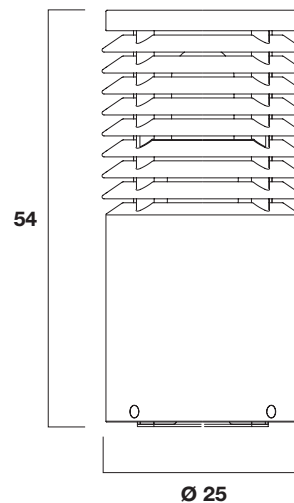
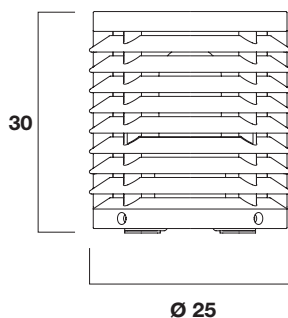
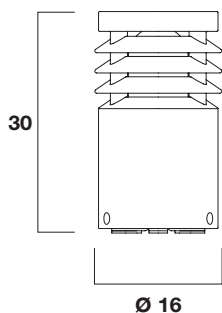


Engineered stone structure that combines different degrees of opening depending on its size. Exterior signalling or beacon light.

Design by Ramón Úbeda & Otto Canalda

Dimensions cm

CE IP44 - IK08
IP54 - versiones E27
IP65 - LED integrado



Oliver Pe

Structure

770104500 Grey

770104501 Grey - LED

Lamp

E27 Max. 40W

Integrated LED 8,5W - 3000K - 110lm

Oliver Me

Structure

770204500 Grey

770204501 Grey - LED

Lamp

E27 Max. 40W

Integrated LED 8,5W 3000K - 165lm

Oliver Gr

Structure

770304500 Grey

770304501 Grey - LED

Lamp

E27 Max. 40W

Integrated LED 8,5W - 3000K -170lm



Stones Outdoor

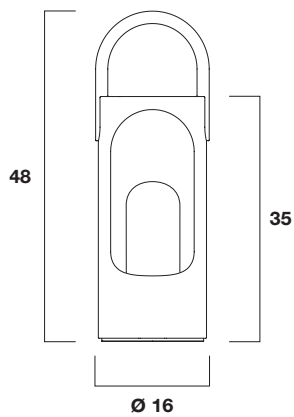


Technical stone structure. Handle and base form one solid unit.
Ambient interior and exterior lighting.

Design by Ramón Úbeda
& Otto Canalda

Dimensions cm

CE IP54



Rolling

Structure

471104500 Grey

471104501 Grey - LED

Lamp

E27 Max. 20W

Integrated LED 8,5W 3000K



Waterproof LED Outdoor

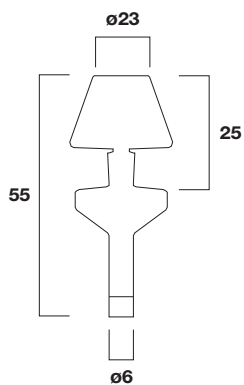


One-piece rotomoulded polyethylene structure containing rechargeable battery with an autonomy more than 8h. Led included. Submersible.

Design by Héctor Serrano

Dimensions cm

CE IP67 



Waterproof

Structure / Polyethylene

747700001 White

Lamp

integrated LED 1,5W

Accessories

610300001 Power adaptor

230V. 1 connection

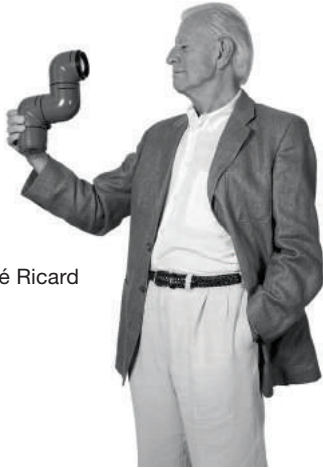
metalarteTM

identity

design

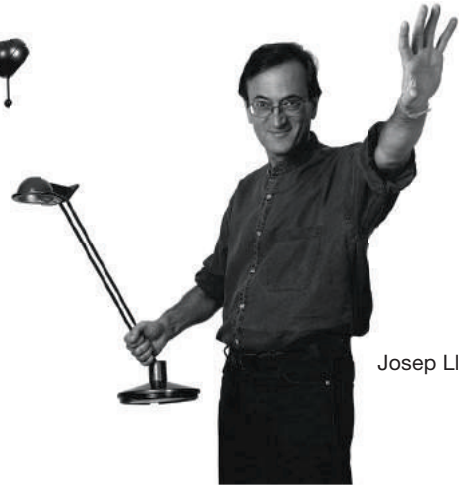
Our passion is the fascinating world of design.

Metalarte has focused on design, in all its many facets, for over 75 years, collaborating with the best national and international designers and editing their ideas with the highest level of reliability and quality to offer them to our clients.

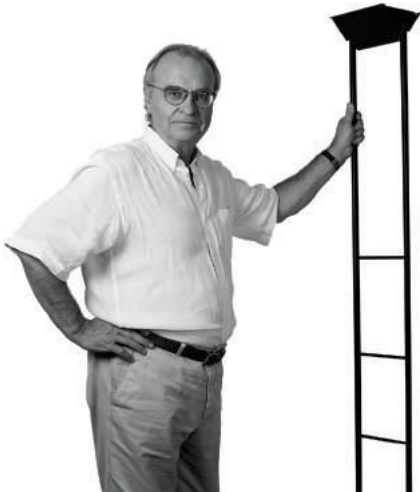


André Ricard

Enric Franch



Jospe Llusçà



Estudi Blanc

Jospe Aregall



Óscar y Sergi Devesa



Antoni Arola



Héctor Serrano

Otto Canalda

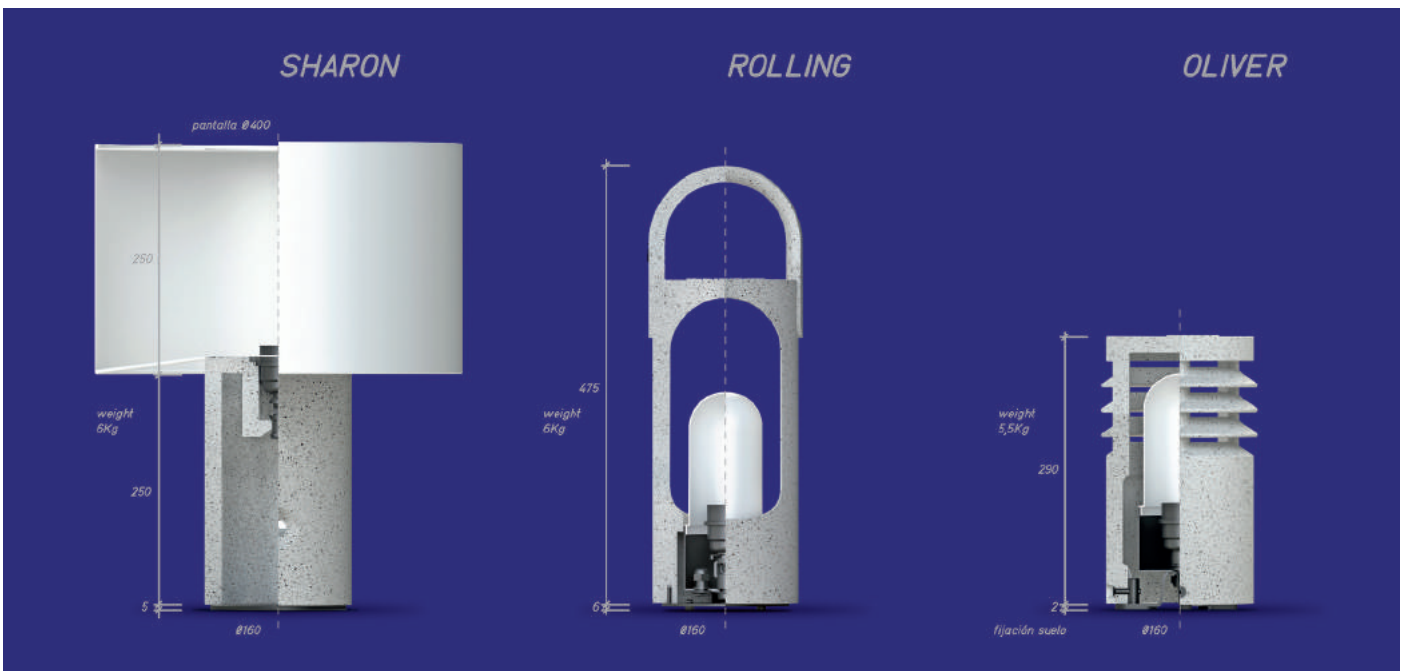


Ramón Úbeda



custom

Forming part of the large Luxiona group, Metalarte has succeeded in providing architects, interior designers and lighting designers with a tailor-made service and in developing unique and special projects. Metalarte provides you with a human team, technical equipment and facilities which allow you to develop any idea that you propose, and will act as a flexible, capable and reliable project partner that will design exceptional lighting solutions that are perfectly suited to the most important of projects.



GENERAL CONDITIONS OF SALE AND OBSERVATIONS

All orders are subject to the following General Conditions of Sale:

1. GENERAL

All sales shall be made under the conditions listed below, which shall be accepted by the buyer from the moment the order is placed (regardless of the means). Any alternative or drafted conditions and agreements shall be subject to our express agreement.

2. DELIVERY PERIOD

Delivery times are only approximate and imply no commitment, allowing no claims from the customer for damages or injuries due to delivery delays, or other claims or compensation for breach of contract. Failure to comply with the delivery deadline shall not entitle the customer to terminate the purchase contract without granting a reasonable period of time to remedy such delay. Any force majeure causes (wars, revolutions, strikes, catastrophes, breakdown of machinery, mould or die breakage, unavailability of raw materials, interruption of transport, closure of customs or other official measures that could cause problems, etc.) shall entitle us to delay delivery without prior notice while the circumstances persist.

Each dispatch will be considered for all intents and purposes an independent operation, even if multiple dispatches form part of the same order.

3. PRICE

This shall be fixed as per our current price list, unless explicitly agreed otherwise by our Company.

4. ORDER CANCELLATION

Confirmed orders may not be cancelled without the express approval of Grupo LUXIONA S.L. They may, however, be cancelled unilaterally by ourselves if there are force majeure circumstances that prevent their completion.

5. TRANSPORT

For export, the terms corresponding to the Incoterm agreed individually with each client will be followed, which will be reflected in your Customer File. Generally, if no specific terms have been agreed, the Ex-Works Incoterm will be followed.

The buyer shall be obliged to examine the merchandise at the time of delivery, and if no objection is written on the delivery note or the transport agency's stub, it shall be assumed that everything is present and correct.

If the customer has not given any special delivery instructions, the merchandise will be shipped as we see fit and via the means of transport of our choice.

6. DELIVERY

The point of delivery, and therefore of sale, shall be considered to be our factory or warehouses, with the transaction having been effected at the moment that the merchandise leaves those premises.

If delivery of the goods is made directly to the recipient at one of our distribution centres, the identification note, Tax Identification Number and signature of the person who collects the merchandise must be included in the delivery note.

7. PACKAGING

These costs are borne by us, and the buyer shall be obliged to remove the packaging to examine the merchandise, a mandatory requirement for taking delivery of it.

8. QUALITY ISSUES AND OTHER DEFECTS

Any small differences that our products may display in terms of size, colour or any other manufacturing variances will not be considered grounds for a complaint by the buyer, unless agreed otherwise.

Claims regarding quantities or other defects will be taken into account as long as we are alerted to them within fifteen days of receipt of the merchandise. At Grupo LUXIONA S.L. we are constantly improving our products, and as such we reserve the right to modify or change them unannounced.

All products included in this catalogue are subject to the general guarantee conditions of LUXIONA S.L. (www.troll.es/downloads/garantia.pdf).

9. RETURNS

Only returns of material appearing at the current price rate are accepted, which excludes any special orders or deleted products. Any return must make reference to the delivery note supplied with the goods.

Should the return be accepted, the merchandise must be presented in its original packaging, unmarked, unopened and in good condition.

All returns must be analysed by our Technical Service Department, which is responsible for checking them. Payment for all accepted returns shall entail a minimum depreciation of 15% of the net invoice amount.

Should we receive material that is non-marketable (for any of the reasons described above), a 100% depreciation will be applied. Once this situation has been communicated, the material will remain available for 30 days at our

Technical Service Department, after which time, if you have not contacted us, it will be destroyed.

No returns will be accepted without written authorisation from Grupo LUXIONA S.L.; this includes any additional material not covered by the authorisation.

The returns number must be clearly visible indicated on the outside of the transport packaging (NOT on the product's own packaging).

Likewise, returned orders must be sent via paid postage, at the customer's risk and expense.

Material returns will not be accepted if the order dates back to more than 90 days before its invoice date.

10. PAYMENT

The payment terms shall be those agreed with our customers.

Payment due dates must be respected promptly, via any legally accepted payment document. We shall otherwise be entitled to charge interest for delays, as well as damages caused by such delays in payment.

Delays in payment shall entail, with immediate effect, the cancellation of any and all agreed and pending commitments.

The buyer shall not be authorised to withhold all or part of the overdue payments if no claim has been recognised, since it shall not exempt the buyer from his/her payment commitment.

11. PLACE OF PAYMENT

Unless otherwise agreed, invoices are always understood to be payable in full at the seller's address. The fact that bills of exchange, receipts or other commercial documents are issued, or that express payment to the representative is admitted, will be considered merely informational, and should not be taken to represent annulment of the general conditions indicated.

12. RESERVATION OF OWNERSHIP

The merchandise delivered shall remain entirely our property until payment has been made.

If this is done by cheque, money order or bank draft, it will be considered complete at the moment when the commercial document in question becomes effective.

The right of ownership shall continue even after the buyer has resold the product, unless his/her debt with us has been satisfied.

13. JURISDICTION

To resolve any issues and discrepancies arising from this operation, including court claims for fees, the execution of bills of exchange, cheques, money orders or IOUs, the buyer and seller shall be expressly subject to the jurisdiction of the judges and courts of Barcelona (Spain), waiving any other jurisdiction or retention of title that may correspond to them.

14. COSTS AND EXPENSES

Any legal costs and fees, including lawyer's fees and attorney's fees, will be borne by the contracting party that has raised the matter due to breach of these general conditions of sale or the contract in general.

15. DEFAULT LEGISLATION

This sales contract will be governed by the agreement herein, and in its absence by the rules of the Spanish Commercial Code regulating sales in Spain.

16. DUTIES AND TAXES

The prices reflected in this rate do not include VAT, nor the ECORAE associated with lamps in products that incorporate them. However, they do include the ECORAE relevant to light fittings.

GRUPO LUXIONA
Paseo de la Ribera, 115
08420 Canovelles
Barcelona, Spain

T +34 93 846 69 09
F +34 93 846 57 09

metalarte@metalarte.com
www.metalarte.com
www.luxiona.com

LUXIONA

LUXIONA

Headquarters

Paseo de la Ribera, 115
08420 Canovelles
SPAIN
tel. +34 93 846 69 09
info@luxiona.com

LUXIONA SPAIN

Paseo de la Ribera, 115
08420 Canovelles
SPAIN
tel. +34 93 846 69 09
fax.+34 93 846 57 09
info.spain@luxiona.com

LUXIONA FRANCE

2, Rue Clément Ader
69740 Genas
FRANCE
tel. +33 472 146 666
fax. +33 472 146 667
info.france@luxiona.com

LUXIONA GERMANY

Im Ostpark 29
D-35435 Wettengel
GERMANY
tel. +49 641 480 1080
fax. +49 641 480 10860
info.germany@luxiona.com

LUXIONA ITALY

Via Luigi Cadamosto 4
26900 Lodi (LO)
ITALIA
tel. +39 02 982740 10
fax. +39 02 982740 26
info.italia@luxiona.com

LUXIONA PERU

Josfel
Jr. Paita 220 Zona Industrial
San Juan de Miraflores (Lima)
PERÚ
tel. (511) 276 8822
fax. (511) 281 4893
ventas@josfel.com.pe

LUXIONA CHILE

Santa Adela 0618
Recoleta, Santiago
CHILE
tel. +56 22 969 5260
info@luxiona.cl

LUXIONA MEXICO

Avda. de los Arcos no.9 manzana 2
Parque Industrial Finsa - Bernardo Quintana
El Márquez, Querétaro 76246
MEXICO
tel. +52 442 153 1020
info.mexico@luxiona.com

LUXIONA POLAND

Ul. Sochaczewska 110,
Macierzysz
05-850 Ozarów Mazowiecki
POLAND
tel. +48 022 721 72 72
fax.+48 022 721 72 73
info.poland@luxiona.com

LUXIONA EXPORT

Export Department:
tel. +34 938 616 893
fax. +34 938 465 709
info.export@luxiona.com

LUXIONA CHINA

1-3/F, Lintai Industrial Park,
Baihuadong,
Guangung Road,
Guangming New District,
Shenzhen 518107
CHINA
tel. (0755) 861 498 86
fax. (0755) 861 491 20
info.china@luxiona.com

troll

www.troll.es

metalarte

www.metalarte.com

Sagelux

www.sagelux.com

Josfel

www.josfel.com